

## FS 8400D T3A

Reservdelar

Spare parts

Ersatzteile

Pieces de rechange

Piezas de repuesto

Ricambi

Peças sobresselente

Reserveonderdelen



FS 840D T3A

PART NO.	POS.	DESCRIPTION	PART NO.	POS.	DESCRIPTION
020049	G,K,T2	Hose Clamp, W/D SAE004	163488	R1,R2	HHCS, .625-11 x 3.5 Gr8 - LH
020050	T1	Hose Clamp, W/D SAE32	163489	R1	HHCS, .625-11 x 4.25 RH Gr BD
020051	T2	Hose Clamp, W/D SAE16	163490	R1	HHCS, .625-11 x 4.25 LH Gr BD
020136	M	Nut, Hex .375-16	163582	M	Wheel, 5"
020180	N1,R1,R2	Nut, Hex Jam Thin 1"-14	163656	P3	Hose, Water - 60" - Compl
020197	Z	Locknut, .3125-18	163672	H,L1	Grommet, 3/4"
020199	J	Locknut, .375-16	163688	H,J	HHCS, M6-1.0 x 16 DIN 933
020201	X6	Locknut, Fiber .5-13	163689	H,Q1	Washer, Lock, M6
020296	Y	Pipe Fit., Close Nipple 3/4"NPT	163927	AB	Weight, Black
020313	E2,Z	HHCS, .3125-18 x .75	163986	X2,X5,X6	Decal, Blade Direction
020321	V1	Nut, Hex #10-24	164243	S	Fit., Grease Zerk
020322	P1	HHCS, .375-16 x .75 Gr5	164297	O1	Fit., Grease Zerk
020352	C,Q2,X6,AA	HHCS, .5-13 x 5	164370	N2,Y	Tab, Insulated Push-On
020377	M	HHCS, .375-16 x 1.5	164632	R1,R2	Key, Woodruff (ANSI #808)
020551	O1	SHSS, .3125-18 x .25 Cup HK	164954	U1	SHCS, M10-1.5 x 25 Lo Hd Gr8
020587	D,F1,F2	HWHSTS, 10-24 x .375 Type F, SL	166038	Z	Knob, 1.25 x 3/8-16
020745	J	Washer, Flat 1/2"	166256	U1	Locknut, Fiber .3125-24
020747	R1	Washer, Flat 5/8"	166307	R1,R2,S	Flange, Blade w/Pin - 5" QDS
020762	B,Q1	Washer, Flat 1/4 SAE	166351	P1,P2	Bearing, Pilot
020763	P2	Washer, Flat 5/16 SAE	166352	Q1	Isolator, Engine
020764	U1,V1	Washer, Flat 3/8 SAE	166356	C,Q1,AA	HHCS, M16-2.0 x 100
020766	M,U1	Washer, Flat 1/2 SAE	166368	Q1	HHCS, M16-2.0 x 90 DIN933
020767	C,Q1,R1,X4,AA	Washer, Flat 5/8 SAE	166393	T2	Cap, Radiator, 10 psi
020777	A	Lockwasher, .3125 Hi-Collar	166413	G	Tank, Coolant Recovery, 1.5 Qt
020785	P2	Lockwasher, Split .3125	166442	Q1	Support, Engine, Rear
020786	P1	Lockwasher, Split .375	166448	Q2,V1	Head, Filter
020790	R1	Washer, Lock, 5/8	166449	Q2,V1	Element, Filter, Spin-On
020864	X4,X6	Pipe Fit., SH Plug, 1/8 NPT Br	166466	J,U1	Rod End, #10-32UNF
020890	M	Cord, Sash, 1/4 Dia #85 (Per Foot)	166480	R1,R2	Washer, Flat 1.030 x 2.25
030822	C,I	Wheel, Cart	166491	G,H	Collar, Set, 1.25" I.D. - Mod
032366	C,I,X6	Nut, KEPS 5/16"-18	166622	F1,F2	Block, Fuse
040261	L2	Valve, Ball 1/2"FPT	166624	D	Fastener, Tuflok
040275	X1,X2,X4,X5,X6	Hyd Fit., 3/8"MPT x 3/4"MGH	166630	T1	Hose Clamp, W/D SAE24
040330	E2	Spring, .054 x .375OD x 3.5	166674	P2	Clamp, Vinyl Coated 3/8 x 3/8
041175	O1	Fit., Grease Zerk	166685	P2	Rotor, Electric Clutch
043203	M	Clamp, Cord 1/2"	166708	F1,F2	Relay, NO/NC
045640	L2	Filter-Washer	166750	X4	Manifold, Water
046101	X1,X4	Washer, Fiber 1"OD x 13/32"ID x 3/32"	166757	S	Flange, Outer 8" QDS B/O
046128	X1,X2,X4,X5,X6	Decal, Warning (Blade Guard Size)	166816	X1,X4	Latch, B/G Slip-On
046402	O1	Washer, Flat 1.03125	166853	A	Decal, RADIATOR FILTER
046425	M	Washer, Spring	166855	Y,Z	Fuse, 10A Push In
048078	O1	Collar, Set 1" ID w/SS	166857	F1,F2	Fuse, 5 Amp
048740	V1	HHCS, .375-16 x 1.25	166878	F2	PHSTS, #10-24 x 1" Type F
049154	X2,X5	Hinge, 4"	166880	W	Adaptor, Restriction Indicator
049196	X5,X6	Manifold	166891	J,U1	Locknut, Fiber, #10-32
049206	X5,X6	Gasket, Manifold	166907	P1	Valve, Oil Drain
049212	X5,X6	Clamp, Water Tube	166932	X5	Blade Guard, 48" Cmpl
052120	Z	Switch, Toggle	166934	AB	Spacer: Black
072086	X3	Nut, Wing 8mm	166942	X5	Water Tube Assy - 48"
090552	Y,Z	Plate, Switch	166957	X4	HHCS, M16-2.0 x 110
136608	T1	Clamp, Exhaust	166983	P1	Fan, Radiator 17" Dia
136685	J	Nut, Hex Jam #10-32	166986	X4	Tube, Water, 18" Blade Guard
138059	AB	Bracket, Weight - Black	167035	N2,O2	Pin, Cotter Hair Spring 1/2-5/8
139649	E1,P1	Bushing, Brass 1/2NPT x 1/4NPT	167289	X1,X4	Decal: Blade Direction - Small
139738	X5,X6	Locknut, Fiber M8 Din 985	167289	X5	Decal: Blade Direction - Small
139742	J,X1,X4	Locknut, Fiber M12 DIN985	167444	AB	HHCS, M12-1.75 x 75
139745	X4	Locknut, Fiber M6 DIN985	167447	Q1,Q2	HHCS, M16-2.0 x 45
139748	X6	Locknut, Fiber M10 DIN985	167448	Q1,X3,X4,AA	Locknut, Fiber M16 -2.0
139749	C,X6	HHCS, M10-1.50 x 25 DIN933	167449	B	Eyebolt, M6-1.0 x 50
139751	X1,X4	HHCS, M12-1.75 x 25 DIN933	167478	X5,X6	HHCS, M8-1.25 x 25 DIN933
139759	X4	HHCS, M6-1.0 x 45	167491	B,X3	SHCS, CSK M10-1.5 x 25
139760	X5,X6	FLHMS, M6-1.0 x 20 DIN963 Gr4.8	167503	X1,X4	Bolt, Latch Pivot M8-1.25
139761	X4,X5,X6	HHCS, M6-1.0 x 20	167532	X5,X7	HHCS, M12-1.75 x 140
139764	X3	CB, M8-1.25 x 25 DIN 603 4.6	167551	X6	HHCS, M6 x 1.0 x 40
160196	M	Pointer Rod - Front	167555	B,C,G,H,L1,L2,Q1	U-Nut, M8-1.25
160244	E1,E2,V1	HHCS, .3125-18 x .625	167564	AB	HHCS, M12-1.75 x 45 DIN933
160393	Q1,Q2,R1,R2	Washer, Flat .6875	167631	AB	HHCS, M12-1.75 x 100
160704	E1,P1	Petcock	167761	X4	HHCS, M5-0.8 x 20 DIN933
160840	Q1	SBHMS, M6-1.0 x 12	167818	X4	FLHMS, M6-1.0 x 16 SLOT
162004	Q2,U1,AA	Lockwasher, Split M10	167925	C	FHCS, M8-1.25 x 30 F.T.
163186	J	Bushing, Brass	169157	X1,X2	O-Ring, -110
163214	P3	Knob, 1.5" Dia	171891	E2	Rivet, Blind 3/16 Dia
163245	G,H,L1,R2	Grommet, 5/8" I.D.	172011	X4	Nut, Hex M5-.80 DIN934
163272	R1,R2,S	Outer Collar w/ 6"Pin	172017	B,Q1,X4,X5,X6	Nut, Hex M6-1.0
163275	X2,X4,X5,X6	Guard, Splash 3.5" x 12"	172027	X5	Nut, Hex M8-1.25 DIN934
163395	X4	Clamp, Water Tube	172028	X5	HHCS, M8-1.25 x 16 DIN933
163487	R1,R2	HHCS, .625-11 x 3.5 Gr8 - RH	172495	AB	Washer, Lock M12

FS 8400 T3A

PART NO.	POS.	DESCRIPTION	PART NO.	POS.	DESCRIPTION
172501	B	HHCS, M10-1.5 x 110	198102	X6	Hinge Half, Outer, Less Pin,
173009	O1	Nut, Hex M12-1.75 DIN934	198103	X6	Hinge Half, Inner, Less Pin,
173010	C	Nut, Hex Low, M12-1.75	198191	X6	Blade Guard, 60" - compl
173014	U1,X6	Washer, Flat M10	15700506	D,W	Hose Clamp, W/D SAE104
173019	V1,X4,X5	Lockwasher, Star Ext M8	15700537	T1	Hose Clamp, W/D SAE285
173047	Y	Washer, Flat M5	15700950	V1	Hyd.Fit., 6408-6 O-Ring Plug
173059	L1,Q1,X4,X5,X6	Washer, Flat M8	15701380	W	Hose Clamp, W/D SAE56
174679	G,H	Lever, Adjustable	501046802	X1	Tube, Water - 26" B;d Grd
174986	Y	Clamp, Hose SAE12	501047002	X1	Tube, Water - 30" Bld Grd
176223	A,P3	Decal, CAUTION (SHIELDS)	501047102	X1	Tube, Water - 36" Bld Grd
176383	F1,F	Switch, Emergency Stop	501047301	X1	Manifold, Water
176398	J	Switch, Neutral Safety Start	501971002	B	Belt Guard, FS8400 - RH
176752	AB	HHCS, M12-1.75 x 200	501971102	B	Belt Guard, FS8400 - LH
176994	J	Speed Control/Shift Frame	502287501	M	Bracket, Pointer
176996	J	Arm, Shifter Pivot	502290401	Q1	Support, Muffler
176998	J	Pivot Pont, Shift	502298101	P3	Arm, Shift Connector
177056	Y,Z	Terminal, Wire 1/4"	502531301	AA	Flange Guard, 10"
177239	N2	Pin, Rue Ring 1/2" Dia	502860101	AA	Belt Guard, 60" - LH
177274	X5	Blade Guard, Front 48" w/Decals	502860201	X7,AA	Bracket, Belt Guard 60"
178687	Y	Fitting, 3/4"MGH x 3/4"MPT	504002101	X2	Manifold, Water
178724	L2	Switch, Pressure, N.O.	504018202	X2	Blade Guard, Rear, 42" H. Grey
181026	A	Decal, RADIATOR FILTER CE	504019002	X2	Tube, Water - 42" Bld Grd
181039	J	Washer, Friction, 2"	504019102	X2	Blade Guard, Front, 42" H. Grey
181109	M,X3	Nut, Hex Jam, M16 x 2.0	504019401	X2,X3	Blade Guard, Slip-On, 42" - Compl
181117	Z	Kit, Dual Light 12VDC	504061201	C	Pointer, Rear
181118	Z	Tube, Support	504119705	R2	V-Belt, 3VX545 5-Band
181120	Z	Bar, Support	504119709	R1	V-Belt, 3VX475 5-Band
181126	Z	Wire Assy, 36" Black	504119710	R2	V-Belt, 3VX570 5-Band
181127	Z	Wire Assy, 16" Black	504119802	F2	Decal, 3-SP Gearbox, 26-42
181206	O2	Orifice, Disc .031"	504119805	F2	Decal, 3-SP Gearbox, 30-48
181361	G	Grommet	504119809	F2	Decal, 3-SP Gearbox, 20-36
182099	J	Lug, Solder Terminal	504119811	F2	Decal, 3-SP Gearbox, 36-60
182146	J	Boot, Half - Toggle Switch	504537501	P3	Fit. Pipe, Expander/Extender
182184	B	Cable, Batt. 4Ga x 44" - Red	504539601	P3	Fiting, Breather
183001	J	Bushing, Glide	504542901	X3	Bracket, Blade Guard, 42"
183124	C,J	Washer, Belleville .5"	504543901	X3	Bracket, Brace, 42"
183137	J	Bracket, Neutral Safety Switch	504544301	X3	Rod, Custom Threaded
183154	J	HHCS, .375-16 Special	504545501	P3	Handle, 3-Spd Shifter
183375	P1,P3	Hole, Plug 3/4"	504548501	P3	Fitting, Hose Barb
183396	M	Front Pointer - Compl	504548601	P3	Fitting, Street Tee
183530	P1	Hyd. Fit., Elbow M22-8JIC	504548701	P3	Fitting, Pipe Swivel-Union
183878	AA	HHCS, M16-2.0 x 35	504548801	P3	Valve, Drain
183998	X1,X4	Lanyard, Nylon Coated SS	504558301	X3	Kit, Blade Guard - 42"
183999	X1,X4	Drive Screw #10 X .25 Lg	504558401	X3	Kit, Blade Guard Attach - 42"
188324	A	HHCS, M16-2.0 x 45 10.9	504559701	P3	Decal, Gearbox Operation
191075	X6	Rubber Bumper, Idler Stop	504571601	I	Pointer, Depth Indicator
191082	W	Air Cleaner 8" - Compl	504580302	B,AA	Loop, Chain Tie-down
191114	W	Housing, Air Cleaner	504587901	P3	Rod, Shifter Lockout
191115	W	Element, Primary	504592206	P3	Arm, Lockout - FS6600
191116	W	Element, Safety	504592207	P3	Arm, Lockout, Link - FS6600
191118	W	Valve, Air Cleaner	504599201	P3	Lock, Padlock
191142	X1,X4	Kit, Blade Guard Latch	504610102	P3	Kit, Shifter Lockout
191284	S	Pipe Fit., 1/8 NPTF Extension	504611001	P3	Instruction, Kit 3-Speed Lockout
191316	P1	Hose, Oil Drain x 20"	504628401	A	Decal, Depth Indicator, CE
191403	Q1	Bracket, Muffler Guard	504630101	A	Decal, Depth Ind Op, CE
191429	S	Bearing 209PP	504793104	P1	Engine, JD 5030HF285 T3 83HP
191714	O1	Bearing, Ball	504827005	S	Bladeshaft, 3-Spd, 5" Flange - Compl
191756	R1,R2,S	Flange, Outer 10 CCB Roger B/O	504827006	S	Bladeshaft, 3-Spd, 6" Flange - Compl
191770	O1	Wheel, 8"Dia x 3" w/ Ball Brg - Compl	504827007	S	Bladeshaft, 3-Spd, 7" Flange - Compl
191771	O1	Wheel Assy, w/Ball Bearing 3"x9"	504827008	S	Bladeshaft, 3-Spd, 8" Flange - Compl
191796	AB	Box, Weight	504836801	R1,R2	Seal, Shaft - Input
191844	X6	Tube, Water, 60" Bld/Grd - Compl	504836802	R1,R2	Seal, Shaft - Output
191845	X6	Tube, Water, 60" Bld/Grd	504837103	D,T2	Air Cleaner, Cradle JD
191894	I	Cable, Depth Indicator	504839401	B,X3	Spade, Narrow Blade Guard
191943	R1,R2,S	Flange, Outer 8" w/Pin	504843302	E2	Radiator, CAC 99HP
191962	C,Q1,Q2,X3,X4,AA	Lockwasher, Split, M16	504855601	Z	Lamp, 12V
191963	S	Vent Plug 1/8 NPT	504857701	X1	Blade Guard, 20" - Compl
191996	P2	HHCS, M8-1.25 x 20 DIN933-10	504858101	X1	Tube, Water, 20"
196029	X1,X2,X4,X5,X6	Decal, LwA 119dB	504858901	T1	Hose, Turbo-CAC
197101	Z	Cable Tie, Plastic 8 In X .094	504858903	T1	Hose, CAC
197170	X1,X2,X4,X5,X6	Wing Bolt, M6 -1.0 x 16	504859101	T1	Hose, Engine - CAC
197227	X4	HHCS, M8-1.25 x 20 DIN933	504859202	T1	Hose, Coolant - Engine In
198022	AB	Kit, Weight 3-Bar, 105LBS	504859203	T1	Hose, Coolant - Engine Out
198043	P1	Hose, 1/2" Water, 3/4"FGH x 36"	504859205	T1	Hose, Coolant Radiator Inlet
198077	B	Battery, Group 48	504861701	G,H	Lever, Adjustable Clamping
198078	B	Bar, Battery Hold-Down	504871601	X1	Blade Guard, Front - 20"
198100	AB	Weight, w/ Handle	504871701	X1	Blade Guard, Rear - 20"

FS 8400 T3A

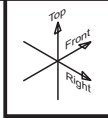
PART NO.	POS.	DESCRIPTION	PART NO.	POS.	DESCRIPTION
505063801	A	Frame, Lift Bail	522676501	Q1	Spacer, Engine Foot
505063805	A	Frame, Brace Lift - LH	522743901	AA	Guard, Mount - RH
505063807	A	Frame, Brace Lift - RH	522744001	AA	Guard, Mount - LH
505067807	A	Guard, Engine RH JD 84	522746001	V1,V2	Pump, Lift 12 VDC
505067809	Q1	Guard, Inner RH JD 84	522812301	C	Bracket, Radiator T3 - Blk
505103701	P3	Bracket, Z-Pattern 3-Speed	522842401	V1	Cable, Pump Ground
505129901	L1	Cowl, Front	522849106	V2	Strainer, Pump - Lift Pump
505129908	E2	Filter, Radiator - FS6600 T3	522849110	V2	Coil, 12 VDC Repl - Lift Pump
505129909	E2	Filter, FS6600 CAC	522849111	V2	Reservoir, Oil - Lift Pump
505129910	E2	Bracket, Radiator	522849115	V2	Switch, Starter - Lift Pump
505129912	L1	Bracket, Radiator Top	522849119	V2	Cap, Filler-Breather - Lift Pump
505189101	M	Bracket, Rope	522849120	V2	Valve, Pressure Relief
505289503	U1	Pump, Hydro	522849121	V2	Valve, Check - Lift Pump
505439201	N1	Axle, Rear	522849122	V2	Brushes, Motor - Lift Pump
505445101	O2	Block, Cylinder Monut	522891901	F1,F2	Kit, Canbuss Node
505455801	Q1	Relay, JD	523119501	F1,F2	Kit, Throttle Control Rocker Switch
505455901	Q1	Bracket, Relay Starter	525289901	T2	Tank, Surge
505455903	Q1	Bracket, Relay Mount	525305701	F1,F2	Stud, PEM 10-32
505482001	N1	Block, Axle Pivot	525305702	F1,F2	Stud, PEM 8-32
505531901	R1,R2	Pin, Dowel .375 x 1.5	525310501	F1,F2,J	Harness, Wiring - Control Box T3
505551201	B	J-Bolt, .25-20 x 8.25"	525416401	T1	Tube, Radiator Vent - Blk
505566602	G	Side Panel, H Org - LH	525434702	T2	Hose, 3/4" Heater Eng-Surge Tank
505566606	H	Side Panel, H Org - RH	525448601	T1	Hyd. Fit., 3400-4
506002701	N2	Actuator, Linear - 40mm	525550401	E1,T2	Hyd. Fit., 3350-4-4
506126202	F1,F2	Control Box	525550701	E1,T1,T2	Hyd. Fit., 4244-2-4
506126204	F1,F2	Panel, Control Box	525567201	T2	Hose, 1/8" ID Bulk (20")
506492901	O1	Bearing, 1.25" Tapped Base	525579501	U1	Hose 2250PSI x 15.5"
506497601	B	Battery Box - FS6600	525606001	A,D	Decal, DIESEL / Low Sulfur
506497901	A	Frame, FS8400 T3	525606002	F1	Decal, Blade Spd 1-Spd JD 84
506748001	L1	Cover, ECU - Front	525749801	Q1	Muffler, JD5030 T3
506748003	L1	Cover, ECU - Back	525750001	C	HHCS, M12-1.75 x 140 DIN933 10.9
506899903	Q1,Q2,V1	Bracket, Speed Control JD	539101331	G,H	Locknut, Fiber .50-13
506900004	Q1	Engine Mounting JD	539102535	N1	Dust Cover, Hub
506900007	Q1	Mount, Engine RH JD 84	539102653	A,R2	Washer, Flat 5/8"
510014101	F1,F2	Bracket, Display Mount	539300010	R1,R2	Pin, Dowel 3/8 x 1.75
510014401	N1	Seal, Radial Shaft 1.50 ID	539300011	L2,Y	Hose Clamp, W/D SAE006
510016602	F1,F2	Display, Canpluss 600 JD T3	539300069	K	Filter, Fuel, Inline 5/16"
510016701	F1,F2	Keyswitch & Key	539300111	F1,F2	Plug, Hole, 1/2"
510016705	F1,F2	Key, Switch	539300113	Y	Boot, Switch, Grey
510126601	V1	Mount, Lift Pump	539300123	O1	Set Collar, 1" ID
510170101	F1,F2	Harness, Engine JD T3	539300133	R1,R2	Wrench, 15/16" Open End
510170102	F1,F2	Harness, Cowl JD T3	539300243	L2	Pipe Fit., Close Nipple, 1/2"
510182601	F1,F2	Control Box, JD T3 - Compl	539300268	I	Pin, Cotter, 3/16 x 1"
510262601	W	Hose, Air Intake JD - FS8400	539300269	L2	Hyd.Fit., 4045-12-8
510271101	T1	Tube, Elbow - CAC	539300310	U1	Hyd. Fit., Elbow 6MJIC x 6SAE
510283601	Q1	Guard, Belt JD - Blk	539300340	G,H	Bar, Handle
510362701	A	Guard, Engine LH JD	539300440	Q1	Cap, Bolt, 5/8 UHMW
510406201	D	Cover, CAC H-Org	539301153	I	Switch, Depth Stop
510414601	Q1	Shield, Alternator JD - Blk	539301366	I	Locknut, Fiber #6-32
510423001	O2	Cylinder, Lift, FS8400 - Compl	539301367	I	RHMS, #6-32 x 1, Slotted
516029501	AA	Frame, Brace - LH	539976978	B	HHCS, .375-16 x 1.25
516029901	AA	Frame, Brace - RH	539976979	I	Locknut, Fiber, .375-16
516030601	AA	Cover, Shaft - Compl	539976982	R2,X3,AA	Washer, Flat, 5/8 SAE
516037601	K	Probe, Fuel Level Sensor	539990052	Q2,V1	Washer, Lock, 1/4
516055501	K	Tank, Fuel T3	539990071	Q2,V1	HHCS, .25-20 x .5
520281701	N1	Shaft, Vert., Rear Axle 1.25	539990118	V1	Washer, Lock, 3/8
520281801	N1	Bearing, Plain 1.25 ID	539990122	I	Washer, Flat 3/8 SAE
521885301	Q2	Decal, Oil Fill - Round	539990187	P3	Washer, Lock 5/16
521885302	A	Decal, Oil, Overfill	539990188	A	Washer, Flat 5/16 SAE
521921501	F1,F2	Decal, Control Panel JD T3	539990209	P3	HHCS, .3125-18 x 1"
521933501	T1	Clamp, T-Bolt Spring-Loaded	539990254	C,Q2,AA	Lockwasher, Split .50
521937801	G	Cap, Radiator 15 PSI	539990258	P3	Nut, Hex, .50-13
521938203	L1	Control, Electronic JD5030 83HP	539990333	A,Q1,R2	Washer, Lock 5/8
521944401	L1	Stud, M8 x 1.25 x 80	539990637	I	HHCS, .375-16 x 2.5
521970301	D	Decal, FS6600 T3 Oper Inst	541200523	Z	Grommet, Frame
521970302	D	Decal, FS6600 T3 Oper Inst - CE	541200533	I	Bearing, Flange
521970902	NS	IPL Parts List: FS8400D T3	541200642	W	Clamp, Hose, SAE44
521971201	NS	OM Op. Man FS66/FS8400 T3 3-L	541200989	W	Gauge, Air Flow Restriction
521971202	NS	OM Op. Man FS66/FS8400 T3 5-L	541201115	R2	V-Belt: 3VX600 5-Band
522591101	E1	Cooler, Fuel, 4-Pass	541201118	R2	V-Belt: 3VX560 5-Band
522604501	E1	Clip, Gator - Fuel Cooler	541201908	R1	V-Belt: 3VX500 5-Band
522607902	E1	Filter, Fuel Cooler	541202061	I	Pulley, Depth Indicator
522608001	E1	Mount, Fuel Filter	541204591	Y	Pipe Fit., St. Elbow 3/4"
522612901	U1	Arm, Speed Control	541204661	Y	Pipe Fit., 3/4"MGH x 3/4" FPT
522613501	V1	Hose, Suction x 12.75"	541204682	N1	Grease Zerk, 1/8NPT x 45°
522627701	F1	Decal, Blade Spd 1-Spd FS66JD	541204755	V1	Hyd. Fit., Str 4JICx6SAE
522636501	T1	Bracket, CAC Hose Support	541204756	U2,V1	Hyd. Fit., Str 6JICx6SAE

FS 8400 T3A

PART NO.	POS.	DESCRIPTION	PART NO.	POS.	DESCRIPTION
541204768	U1,V1	Hyd. Fit., 90° Elbow 4JIC x 6SAE	542198917	U2	Valve, Needle - Bypass
541204806	U1	Hyd. Fit., 90° Elbow 8SAEx6JIC	542198932	O2	Pin, Cylinder - Rear .75 Dia x 2.25
541204855	L2,P1	Hyd.Fit., 3/4"MGH x 1/2"MPT	542198936	O1	Pin, Cylinder - Front
541204870	P1,V1	Hyd. Fit., Hose Barb 1/2"H x 1/2"MPT	542198940	P1	Spacer, Fan JD 5 Cyl
541204971	F1,F2	Locknut, Fiber 8-32	542198949	U1	O-Ring, -042
541204977	U1	Hyd. Fit., Str. Conn 6MJIC x 8SAE	542198953	P2	Snap Ring, 1.375 Shaft
541204983	V1	Hyd. Fit., Run Tee - 6JIC	542198965	N1	Pivot Swivel, M12
541204991	N2	Hyd. Fit., Str. Conn 6MJIC x 10SAE	542198975	P2	Armature, Mod.
541205011	O2	Hyd. Fit., Str. Conn 4MJIC x 4SAE	542198996	B	Shield, Actuator - Black
541205253	F1,F2	Locknut, Fiber #10-32	542199017	H	Mounting, Handlebar - RH
541205301	M	HHCS, M16 x 2.0 x 80	542199018	G	Mounting, Handlebar - LH
541206691	Q1	Clamp, Exhaust 3.3 Turbo	542199021	L1	Rubber Insulator
541206888	R1,R2,S	Flange, Inner 5" Dia, 18"-26"-30"	542199029	A	Insulator, Neoprene w/ Holes
541206943	P1	Coupling, Flywheel	542199039	L2	Insulator, Rubber
541207100	R1,R2	Kit, Sleeve Puller - Compl	542199044	S	HHCS, M8-1.25 x 75
541208006	S	End Cover, Flange	542199045	R1,R2	Key, 1/4" Sq x 2.5 Round BE
541208022	S	O-Ring, -044	542199053	A,B,D,G,H,L1,L2,O1	HWH Bolt w/ Dog Pt, M8-1.25
541208345	X1,X4	Spring w/ 90 Hook	542199053	P2,Q1	HWH Bolt w/ Dog Pt, M8-1.25
541208357	X1	Latch, Blade Guard - 20"	542199124	L2	Pipe Fit., St. Elbow, 1/2"NPT
541208416	D	Cover, Control Panel Top	542199125	L2	Pipe Fit., Male Elbow, 1/2"NPT
541208421	L2	Cowling, Rear	542199126	L2	Pipe Fit., Female Tee, 1/2"NPT
541208425	Q1	Mount, Engine - RH	542199127	L2	Pipe Fit., 45 Deg St. Elbow, 1/2"NPT
541208426	B	Angle, Belt Guard Mt	542199128	X1,X2,X4,X5,X6	Spring, Blade Guard
541208427	L2	Hanger, Hose	542199183	J	Cable, Push-Pull
541208430	A	Bracket	542199202	I	Bracket, Depth Indicator, Black
541208431	B,X3	Spacer, 4-Bolt Spade	542199210	K	Draw Tube, Fuel Line - Compl
541208432	B	Belt Guard, Superior - RH	542199217	D	Shroud, Radiator Half
541208433	B	Belt Guard, Superior - LH	542199222	J	Handle & Switch - Compl
541208434	B	Flange Guard	542199235	K	Hyd Fit., 45° Elbow, 5MJIC x 6SAE
541208435	B	Flange Guard, 8"	542199236	K	Hyd Fit., -5 FJIC x 5/16 Hose Barb
541208437	O1	Front Axle, FS8400	542199239	N2	Pivot Pin, Actuator 12mm
541208440	X1,X4	Cover, Bladeshift (CE)	542199241	N2	Pivot Pin, Actuator 10mm
541208442	X5	Blade Guard, Rear - 48"	542199247	L2	Bracket, Water System
541208447	X4	Blade Guard, Rear -18" (3")	542199274	Q1	Heat Guard, Muffler
541208448	X4	Blade Guard, Front -18" (3")	542199308	C	Bracket, Depth Indicator Wheel - Black
541208452	X5,X6	Latch, Blade Guard - 48"	542199317	R1,R2,S	Flange, Inner 7" Dia, 42"
541208454	X6	Blade Guard, Rear - 60"	542199331	R1,R2,S	Flange, Inner 8", Tpr Shaft, B/O
541208455	X6	Blade Guard, Front - 60"	542199354	N2	Hose, 6FJ90 x 6FJ90 x 31"
541208457	X5,X7	Brace, Blade Guard, International	542199355	N2	Hose, 6FJ x 6FJ90 x 15"
541208460	AA	Extension, Frame, FS8400	542199358	V1	Hose, 4FJ90 x 22.5"
541208461	X2	Cover, Bladeshift - 42" CE	542199359	V1	Hose, 4FJ x 4FJ90 x 54"
541208463	B,X3	Spade, Slip-On, Low Grd - LH	542199378	R1,R2,S	Flange, Outer w/Pin - 7" QDS, 42"
541208464	B,X3	Spade, Slip-On, Low Grd - RH	542199387	P2	Hub, Clutch Drive w/ Fasteners
541208466	B	Guard, Sheave, Low-Shaft - RH	542199396	P2	Coil, Field w/ Leads
541208467	B	Guard, Sheave, Low-Shaft - LH	542199397	B	Cable, Batt. Pos. 0Ga x 18" - Red
541208468	AA	Guard, Belt - 60" - Compl	542199398	B	Cable, Batt. Neg. 0Ga x 28" - Black
541208470	AA	Guard, Belt - 60" - LH	542199414	U2	Valve, C-Balance
541208473	X7	Brace, Blade - 60"	542199426	N1	Nut, Castle, 1"-14 UNF
541208475	AA	Angle, Belt Guard Mt - 60"	542199427	N1	Spacer-Washer, 1" Bearing
541208484	X5	Bracket, Brace - 48"	542199432	F1	Decal, Blade Speed / Size - CE
542139568	G,H	Grip, Handle	542199433	F1,F2	Decal: E-Track Control
542167298	X1,X2,X4,X5,X6	Decal: Blade Guard Caution	542199435	C	Decal, Axle Adjustment, Manual
542169065	A	Decal: Warning/Muffler	542199451	J	Speed Control - Compl
542177066	B	Rubber Boot, Batt. Term. /Black	542199452	K	Hose, Fuel Line, 5/16" ID x 88"
542180020	V2	Valve, Cartridge - Lift Pump	542199475	N2	Bracket, Actuator Pivot, Lg, Black
542180427	F1,F2	Decal, PATENTS	542199478	G,T2	Hose, Radiator Overflow 5/6"ID x 54"
542182102	J	Switch, Toggle - Raise / Lower	542199479	Q1	HHCS, M16-2.0 x 35
542182219	F1,F2	Switch, Rocker	542199480	P2	Bushing, Rubber, 1/2"ID x 3/4"OD x 3/4"
542182220	F1,F2	Switch, Rocker	542199481	R1	Gearbox Model, Superior 1-Speed
542182228	I	Harness, Depth Stop	542199484	Q1	Hose Clamp, W/D SAE96
542182233	P2	Harness, Cowl	542199512	N2	Bracket, Actuator Connector, Black
542182262	F1,F2	Switch, DPDT, 3 Pos. E-Trac	542199530	R1	10Gr,3V,3.65 Dia Sheave
542182303	M	Pointer, Front	542199531	R1,R2	10Gr,3V,4.13 Dia Sheave, Sup. Gr
542183106	K	Cap, Gas w/o Gauge	542199532	R1,R2	10Gr,3V,4.75 Dia Sheave, Sup. Gr
542190595	P3	Decal, Gearbox Range	542199533	R1,R2,S	10Gr,3V,4.12 Dia Sheave, Bladeshift
542190628	A	Decal, TRANS. BYPASS VALVE	542199534	R1,R2,S	10Gr,3V,4.75 Dia Sheave, Bladeshift
542190701	D	Decal, HUSQVARNA/FS8400D	542199535	R1,R2,S	10Gr,3V,5.6 Dia Sheave, Bladeshift
542190733	L2	Decal, HUSQVARNA, 9.850" Lg	542199536	R1,R2,S	10Gr,3V,6.9 Dia Sheave, Bladeshift
542195127	X1,X4	Hinge, 3"	542199537	R1,R2,S	10Gr,3V,9.3 Dia Sheave, Bladeshift
542196172	AB	Kit, Weight 2 Bar 70 Lbs	542199566	W	Hood, Air Inlet
542196173	L2	Hose, Water, 3/4"FGH x 66"	542199570	R1,R2,S	Flange, Inner,10",Tap,Shaft,B/O
542198778	X4	Blade Guard, 18" H Grey w/Decals CE	542199581	S	Bladeshift FS84 26-30 - Compl
542198842	N1	Wheel, Rear 10"Dia x 3"	542199582	S	Bladeshift FS84 36" - Compl
542198843	N1	Wheel Hub	542199583	S	Bladeshift FS84 48" - Compl
542198864	R1,R2,S	Flange, Inner 6" Dia, 36"	542199584	S	Bladeshift FS84 60" - Compl
542198915	U2	Bypass/Counterbalance Valve	542199586	F1	Decal, Bld Spd/Size FS8400 - CE
542198916	O2	Valve, Needle - Lift Cyl	542199626	Y	Kit, Water Pump - FS66/FS8400

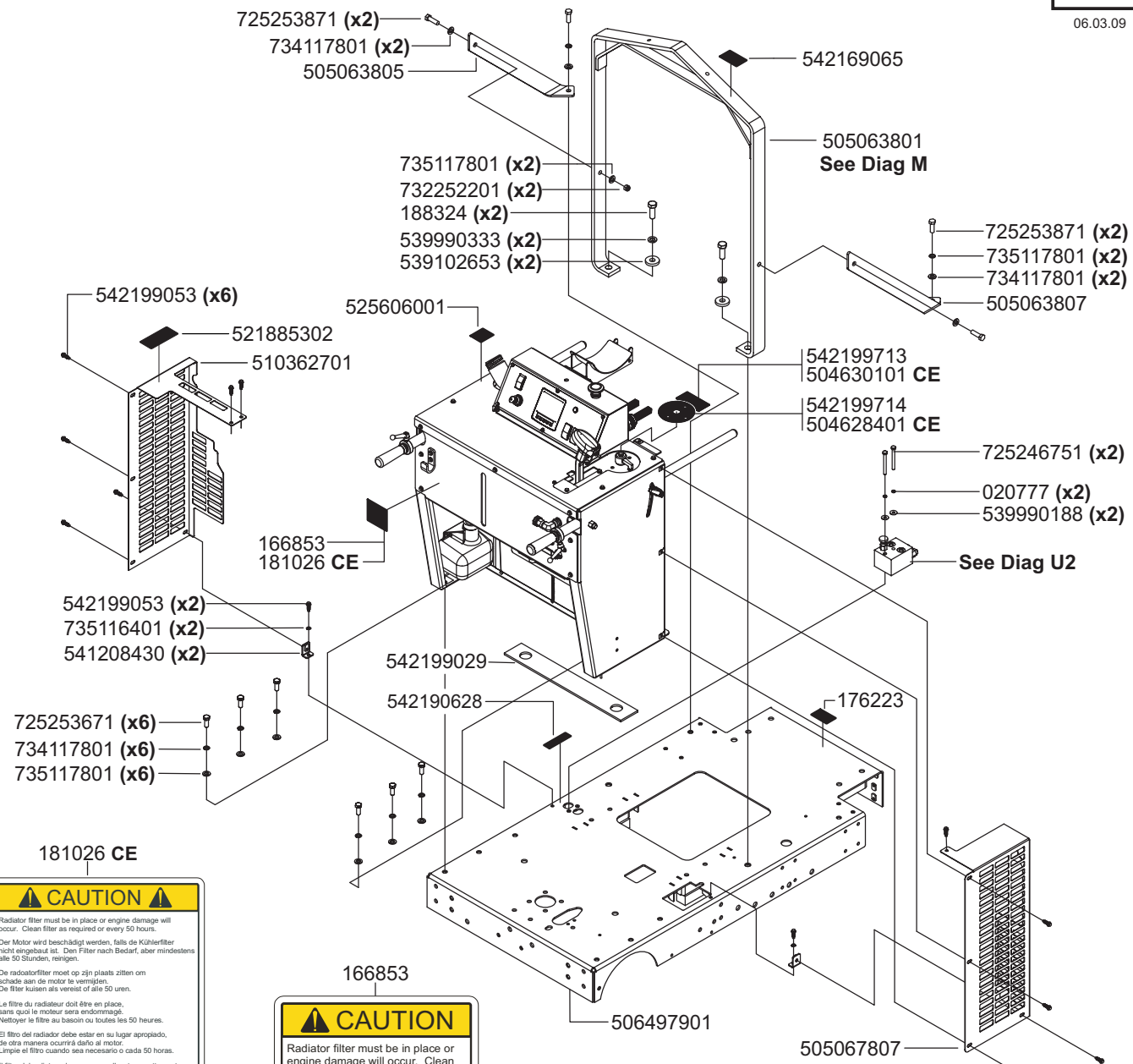
FS 8400 T3A

PART NO.	POS.	DESCRIPTION	PART NO.	POS.	DESCRIPTION
542199633	N1,N2	Disc, Slider - 2.75" Dia	725245171	Q1,T1,T2	HHCS, M8-1.25 x 20
542199637	Y	Pump, Water - Un-modified	725245371	Q1	HHCS, M8-1.25 x 25
542199639	Y	Port, Water Pump, 1/2 x 90 Deg	725245376	X1,X2	HHCS, M8-1.25 x 25 10.9
542199640	Y	Grommet , Set	725245571	Q1,Q2	HHCS, M8-1.25 x 30
542199641	Y	Filter, Inlet	725245776	P2	HHCS, M8-1.25 x 35 10.9
542199643	Y	Screen, Inlet Filter Strainer	725246751	A	HHCS, M8-1.25 x 80
542199646	Y	Plate, Water Pump Mount	725249371	B,X1,X7,AA	HHCS, M10-1.50 x 25
542199648	Y	Switch, Toggle Single Pole	725249571	B,P1,P3,Q1	HHCS, M10-1.50 x 30
542199649	Y	Boot, Switch	725249571	X5,X7,AA	HHCS, M10-1.50 x 30
542199652	Y	Bracket, Water Pump, Inlet	725249971	M	HHCS, M10-1.50 x 40
542199657	Y	Hose Assy, 1/2"MGH	725250151	C,Q1	HHCS, M10-1.50 x 50
542199658	Y	Hose Assy, 3/4"FGH	725250951	P1	HHCS, M10-1.50 x 90, 8.8
542199671	Y	Cord, Electrical - Water Pump	725251551	AA	HHCS, M10-1.50 x 120, 8.8
542199677	E2	Lanyard, 24" Nylon Coated	725253271	Q1,X2	HHCS, M12-1.75 x 20
542199691	C,X3	HHCS, M16-2.0 x 140	725253471	B,Q2,X7,Z	HHCS, M12-1.75 x 25
542199692	C	Block, Baldshaft Spacer - Black	725253671	A,C,AB	HHCS, M12-1.75 x 30
542199700	R1	V-Belt: 3VX465 - 5 Band	725253871	A	HHCS, M12-1.75 x 35
542199713	A	Decal, DEPTH INDICATOR SETTING	725254271	C,AB	HHCS, M12-1.75 x 50 DIN933
542199714	A	Decal, DEPTH INDICATOR	725254571	N2	HHCS, M12-1.75 x 65 DIN 933
542199723	AA	Scuff Plate, Belt - FS8400	725254671	C	HHCS, M12-1.75 x 70 DIN 933
542199741	V1	Hose, 6JF90L, 4311-6 x14.5	725254871	O1	HHCS, M12-1.75 x 80 DIN 933
542199742	S	Bladeshaft FS8400 42" - Compl	725545555	P2	SHCS, M8-1.25 x 30 12/9 B/O
542199746	R1,S	10Gr,3V 6.4 Dia Sheave, Bladeshaft	731231601	X1,X2	Nut, Hex M6-1.0 DIN 934
542199749	H	Limiter Plate, Spd Contrl - CE	731231801	L1	Nut, Hex M8-1.25 DIN 934
542199753	AB	Bracket, Weight Box Mtg - LH	731432001	P3	Clamp, Hose SAE12
542199755	AB	Bracket, Weight Box Mtg - RH	732251401	Y	Locknut, Fiber M5-0.8
542199757	AB	Kit, Weight - 60"	732251601	B,E1,J,Q1,X1,X2	Locknut, Fiber M6-1.0
542199758	O2	Check Valve	732251601	X3,X5,X6	Locknut, Fiber M6-1.0
542199766	R1	V-Belt: 3VX450 - 5 Band	732251801	D,L1,Q1,S,X1,X2,X3	Locknut, Fiber M8-1.25
542199836	R2	Gearbox, 3-Spd, SAE 4 - FS6600	732252001	B,M,Q1,X1,X3	Locknut, Fiber M10-1.5
542201048	Y	Installation Sheet: Water Pump	732252001	X5,X7	Locknut, Fiber M10-1.5
542201113	R2	Inst Sht: Prox Switch	732252201	A,X2,X5,X7,Z,AB	Locknut, Fiber M12-1.75
542203258	X1	Blade Guard, Rear - 26"	734115201	B,X4,X5,X6	Washer, Flat M6
542203264	X1	Blade Guard, Front - 26"	734115441	X1,X2	Washer, Flat M6 Large
542203266	X1	Blade Guard, Slip-On, 26" - Compl	734116301	X1,X2	Washer, Flat M8
542203297	X1	Blade Guard, Rear - 30"	734116541	E2	Washer, Flat M8 Large
542203298	X1	Guard, Splash 12"	734117201	B,Q1,X1,X7,AA	Washer, Flat M10
542203303	X1	Blade Guard, Front - 30"	734117801	A,C,G,H,Q2,X2	Washer, Flat M12
542203305	X1	Blade Guard, Slip-On, 30" - Compl	734117801	X5,X7	Washer, Flat M12
542203310	X1	Blade Guard, Rear - 36"	735115301	X4	Washer, Lock M6 DIN 127
542203316	X1	Blade Guard, Front - 36"	735116401	A,E1,E2,Q1,T1,T2	Washer, Lock M8 DIN 127
542203318	X1	Blade Guard, Slip-On, 36" - Compl	735117301	B,C,M,P1,P3	Washer, Lock M10 DIN 127
542203335	X1	Cover, Flange	735117301	Q1,X7,AA	Washer, Lock M10 DIN 127
542205191	M	Extension, Pointer	735117801	A,B,C,N2,Q1,Q2	Washer, Lock M12 DIN 127
542205308	J	Bracket, Raise/Lower Switch	740380801	R2,S	Washer, Sealing M6
542205309	J	Toggle Switch - Compl	0A7717	Z	Inst Sheet: Dual Light Kit
542206201	E2	Lanyard, Filter Retainer			
542206244	T2	Hose, 5/16 ID x 44"			
542206251	I	Spring, Extension			
542206258	P3	Shift Rod, Long			
542206292	F1,F2	Nut, Connector			
542206293	F1,F2	Washer, Connector			
542206356	Q1	Washer, Flat 2.50 x .657 x .188			
542206393	S	Sprocket, 30-Tooth Bladeshaft			
542206416	P3	Stud, M10-1.5 x 25			
542206417	F1,F2	LED - Red			
542206463	S	Bladeshaft, w/Tach			
542206478	R2	Pin, Dowel 5 x 50mm			
542206479	S	Tube, Bladeshaft w/Tach - FS6600			
542206535	R1,R2,S	Bladeshaft, FS6600 - Compl			
542206634	R2	Kit, Prox Switch			
542206660	P1	Breather Vent w/ Small Hole			
542206666	D	Latch, Side Panel			
542206680	D	Latch, Side Shield - RH			
573966801	T2	Clamp, Spring 5/6 OD			
574742401	F1,F2	Harness, Wiring JD T3A Engine			
574742402	F1,F2	Harness, Control Box- JD T3A			
574744101	F1,F2	Control Box - JD T3A - Cmpl			
574744202	R2	Kit, Prox Switch - Resist Conn			
725233371	Y	HHCS, M5-0.8 x 25			
725236671	S,X2	HHCS, M6-1.0 x 12			
725236871	X1	HHCS, M6-1.0 x 16			
725237071	Q1,X1,X2,X3	HHCS, M6-1.0 x 20			
725237671	J	HHCS, M6-1.0 x 35			
725237951	X1,X2	HHCS, M6-1.0 x 45			
725244771	Q1	HHCS, M8-1.25 x 12			
725244971	Q1	HHCS, M8-1.25 x 16			
<b>LEGEND</b>					
	BHMS	Button Head Machine Screw			
	FLHMS	FLat Head Machine Screw			
	HHCS	Hex Head Cap Screw			
	HWHSTS	Hex Washer Head Self-Tapping Screw			
	RHMS	Round Head Machine Screw			
	SBHMS	Socket Button Head Machine Screw			
	SHCS	Socket Head Cap Screw			
	SHSS	Scoccker Head Set Screw			
	STS	Self-Tapping Screw			
	PHCS	Pan Head Cap Screw			
	PHMS	Pan Head Machine Screw			
	PHSTS	Pan Head Self-Tapping Screw			
	FT	Full Thread			
	Gr	Grade			



06.03.09

# A Frame, Cowling, Lift Bail



**CAUTION**

Radiator filter must be in place or engine damage will occur. Clean filter as required or every 50 hours.

Der Motor wird beschädigt werden, falls der Kühlerfilter nicht eingebaut ist. Den Filter nach Bedarf, aber mindestens alle 50 Stunden, reinigen.

De radiatorfilter moet op zijn plaats zitten om schade aan de motor te vermijden. De filter kuisen als vereist of alle 50 uren.

Le filtre du radiateur doit être en place, sans quoi le moteur sera endommagé. Nettoyer le filtre au besoin ou toutes les 50 heures.

El filtro del radiador debe estar en su lugar apropiado, de otra manera ocurrirá daño al motor. Limpie el filtro cuando sea necesario o cada 50 horas.

Il filtro del radiatore deve essere collocato correttamente altrimenti si danneggia il motore. Pulire il filtro ogni volta che è necessario o ogni 50 ore.

**CAUTION**

Radiator filter must be in place or engine damage will occur. Clean filter as required or every 50 hours.

504630101 CE

SMD  
Depth

PIN 50463 01-01 (CE)

542199713

Set Depth  
Depth

176223

**WARNING**

Machinery Hazard - Always keep all guards in place.  
Maquina en funcionamiento - Los capotes deben estar en posicion.  
All guards must be in place. Los capotes deben estar en posicion.

521885302

**CAUTION**

THE SAW MUST BE LEVEL WHEN THE ENGINE OIL IS CHECKED. SEVERE ENGINE DAMAGE WILL OCCUR IF THE ENGINE IS OVERFILLED WITH OIL.

504628401 CE

cm

542199714

525606001

**DIESEL**

LOW OR ULTRA LOW SULFUR FUEL ONLY

542169065

**WARNING**

Muffler Is HOT! May Cause Burns And / Or Ignition Of Material. Avoid Contact!

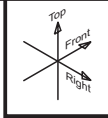
542190628

**DRIVE (Engage):** Turn Knob Clockwise (Downward)

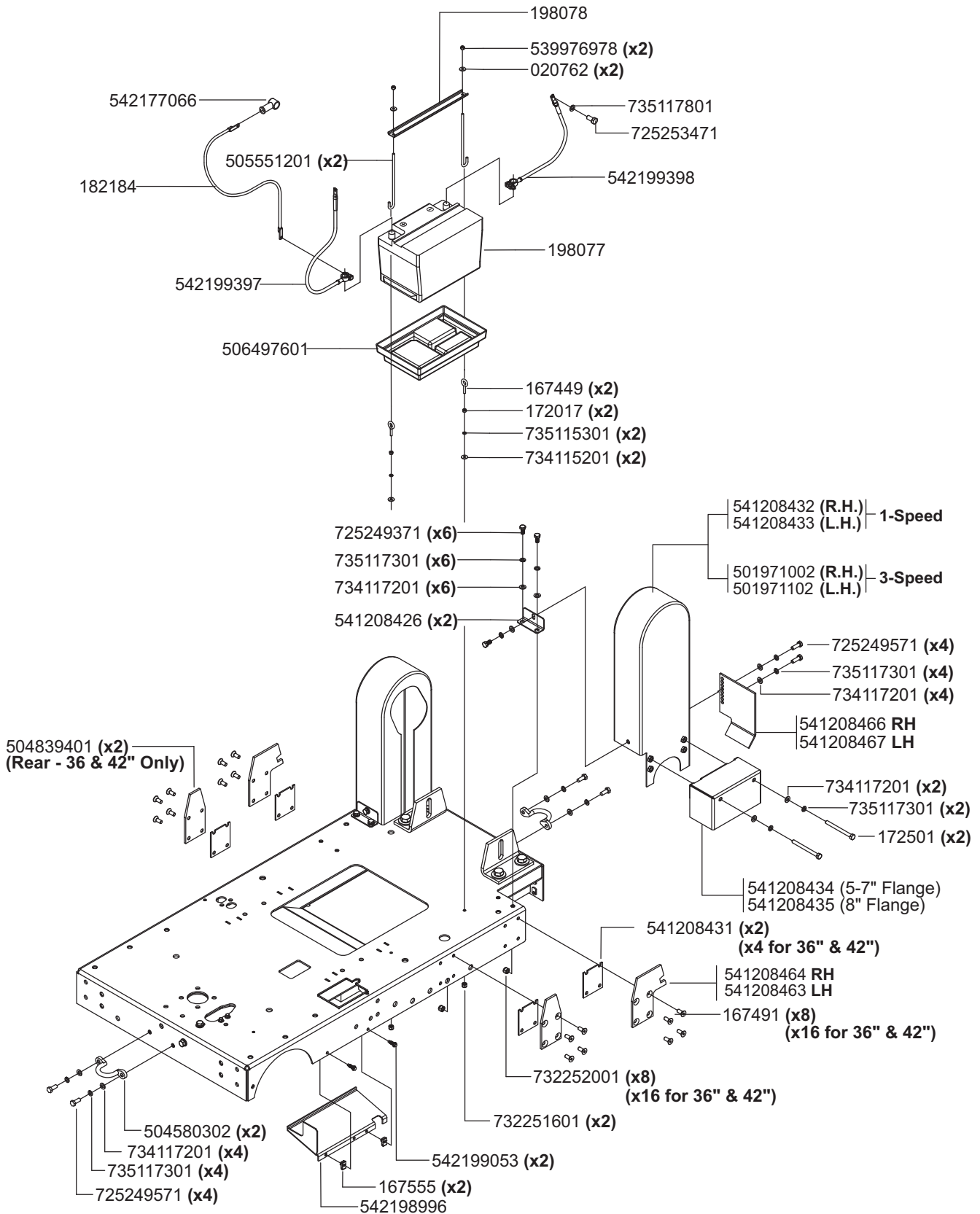
**NEUTRAL:** Turn Knob Counter-Clockwise (Upward)



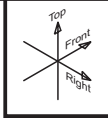
# B Upper Frame - FS8400 T3



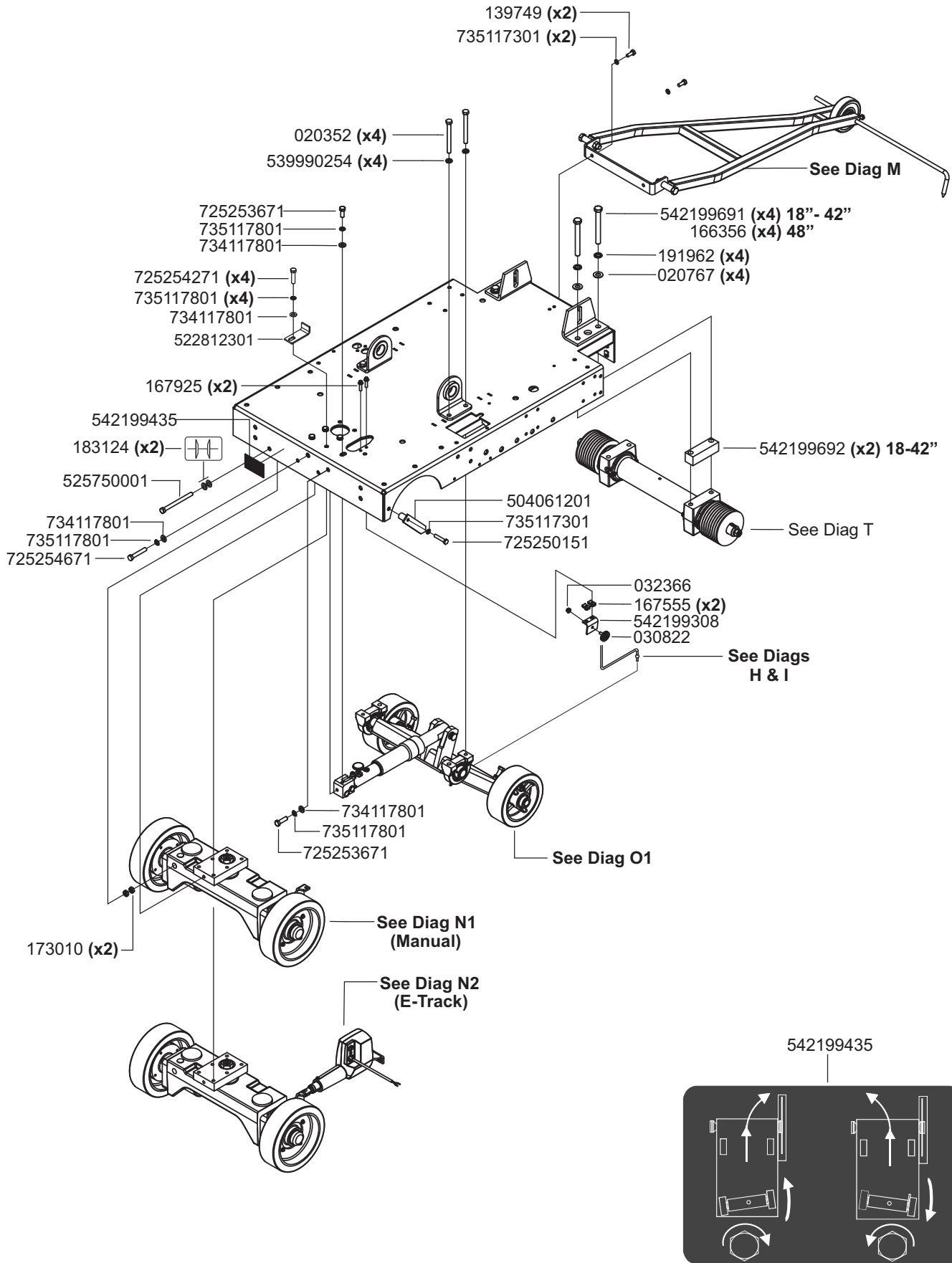
10.27.09



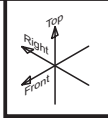
# C Lower Frame with Pointers



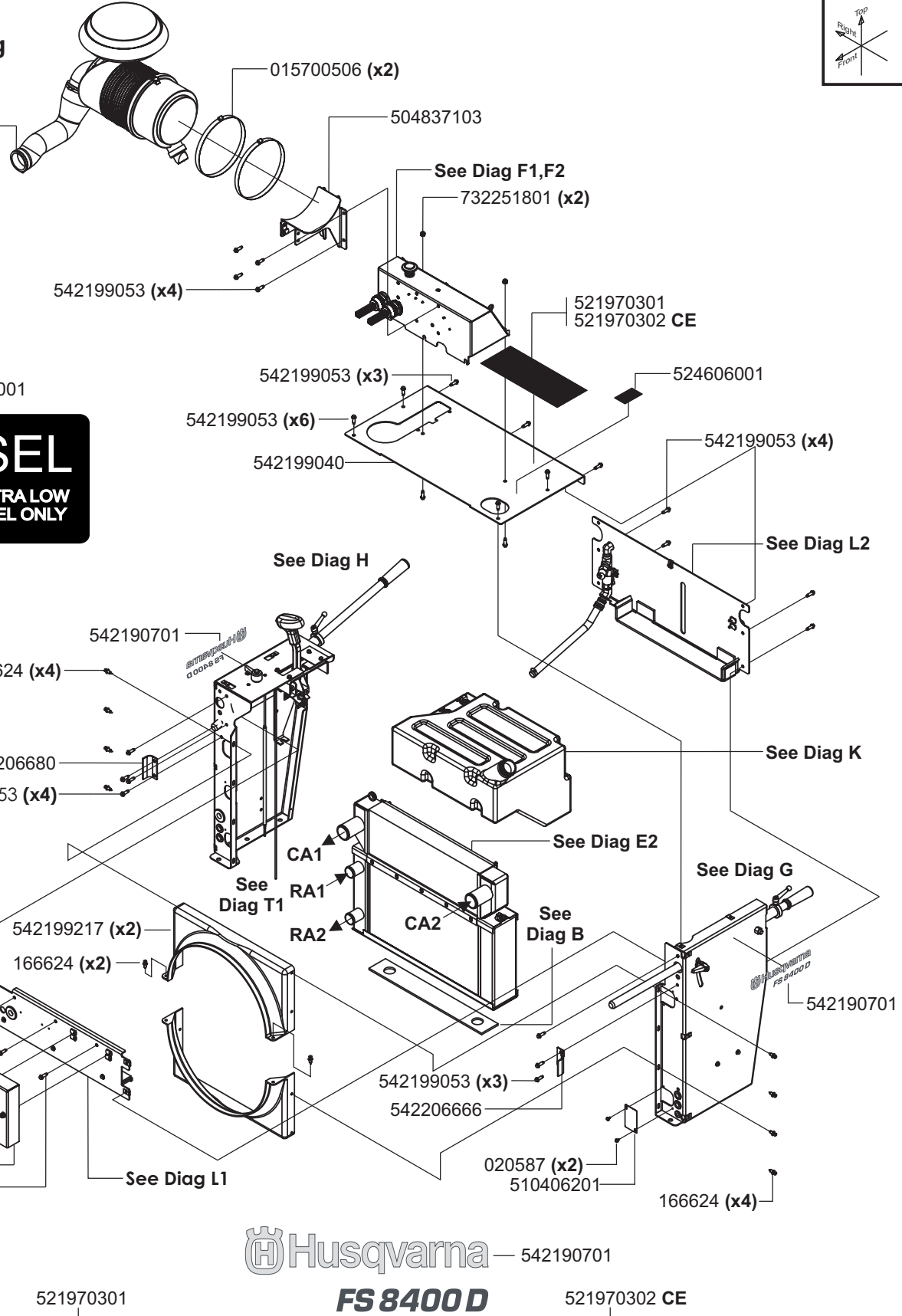
06.03.09



# D Cowling FS8400



See Diag W



**DIESEL**  
LOW OR ULTRA LOW  
SULFUR FUEL ONLY

**Husqvarna** — 542190701

**FS 8400D**

521970302 CE

521970301

**WARNING**  
FAILURE TO FOLLOW THE WARNINGS AND INSTRUCTIONS BELOW MAY RESULT IN SERIOUS INJURY OR DEATH.

<p><b>Read and understand the operator's manual before operating the machine. Read and understand all warnings, instructions and controls. IF YOU DO NOT READ AND UNDERSTAND THE MANUAL, CALL YOUR DEALER.</b></p> <p><b>Read the manual before starting the machine. Read and understand all warnings, instructions and controls. IF YOU DO NOT READ AND UNDERSTAND THE MANUAL, CALL YOUR DEALER.</b></p> <p><b>Always use the correct blade for the type of work being done. Check with the blade manufacturer for details on how the blade is used.</b></p> <p><b>Always use caution when refueling. Refuel only when the engine is stopped and the fuel system is cool. Never use the machine until the fuel system is cool.</b></p> <p><b>Always use the correct blade for the type of work being done. Check with the blade manufacturer for details on how the blade is used.</b></p> <p><b>Always use caution when refueling. Refuel only when the engine is stopped and the fuel system is cool. Never use the machine until the fuel system is cool.</b></p> <p><b>Always use the correct blade for the type of work being done. Check with the blade manufacturer for details on how the blade is used.</b></p> <p><b>Always use caution when refueling. Refuel only when the engine is stopped and the fuel system is cool. Never use the machine until the fuel system is cool.</b></p>	<p><b>Always use the correct blade for the type of work being done. Check with the blade manufacturer for details on how the blade is used.</b></p> <p><b>Always use caution when refueling. Refuel only when the engine is stopped and the fuel system is cool. Never use the machine until the fuel system is cool.</b></p> <p><b>Always use the correct blade for the type of work being done. Check with the blade manufacturer for details on how the blade is used.</b></p> <p><b>Always use caution when refueling. Refuel only when the engine is stopped and the fuel system is cool. Never use the machine until the fuel system is cool.</b></p> <p><b>Always use the correct blade for the type of work being done. Check with the blade manufacturer for details on how the blade is used.</b></p> <p><b>Always use caution when refueling. Refuel only when the engine is stopped and the fuel system is cool. Never use the machine until the fuel system is cool.</b></p> <p><b>Always use the correct blade for the type of work being done. Check with the blade manufacturer for details on how the blade is used.</b></p> <p><b>Always use caution when refueling. Refuel only when the engine is stopped and the fuel system is cool. Never use the machine until the fuel system is cool.</b></p>	<p><b>Always use the correct blade for the type of work being done. Check with the blade manufacturer for details on how the blade is used.</b></p> <p><b>Always use caution when refueling. Refuel only when the engine is stopped and the fuel system is cool. Never use the machine until the fuel system is cool.</b></p> <p><b>Always use the correct blade for the type of work being done. Check with the blade manufacturer for details on how the blade is used.</b></p> <p><b>Always use caution when refueling. Refuel only when the engine is stopped and the fuel system is cool. Never use the machine until the fuel system is cool.</b></p> <p><b>Always use the correct blade for the type of work being done. Check with the blade manufacturer for details on how the blade is used.</b></p> <p><b>Always use caution when refueling. Refuel only when the engine is stopped and the fuel system is cool. Never use the machine until the fuel system is cool.</b></p> <p><b>Always use the correct blade for the type of work being done. Check with the blade manufacturer for details on how the blade is used.</b></p> <p><b>Always use caution when refueling. Refuel only when the engine is stopped and the fuel system is cool. Never use the machine until the fuel system is cool.</b></p>
--	---	---

FORWARD

STOP

LOWER BLADE

REVERSE

**WARNING DIE WARNUNG WAARSCHUWING AVERTISEMENT ADVERTENCIA AVVERTIMENTO**

<p><b>Read and understand the operator's manual before operating the machine. Read and understand all warnings, instructions and controls. IF YOU DO NOT READ AND UNDERSTAND THE MANUAL, CALL YOUR DEALER.</b></p> <p><b>Always use the correct blade for the type of work being done. Check with the blade manufacturer for details on how the blade is used.</b></p> <p><b>Always use caution when refueling. Refuel only when the engine is stopped and the fuel system is cool. Never use the machine until the fuel system is cool.</b></p> <p><b>Always use the correct blade for the type of work being done. Check with the blade manufacturer for details on how the blade is used.</b></p> <p><b>Always use caution when refueling. Refuel only when the engine is stopped and the fuel system is cool. Never use the machine until the fuel system is cool.</b></p> <p><b>Always use the correct blade for the type of work being done. Check with the blade manufacturer for details on how the blade is used.</b></p> <p><b>Always use caution when refueling. Refuel only when the engine is stopped and the fuel system is cool. Never use the machine until the fuel system is cool.</b></p>	<p><b>Always use the correct blade for the type of work being done. Check with the blade manufacturer for details on how the blade is used.</b></p> <p><b>Always use caution when refueling. Refuel only when the engine is stopped and the fuel system is cool. Never use the machine until the fuel system is cool.</b></p> <p><b>Always use the correct blade for the type of work being done. Check with the blade manufacturer for details on how the blade is used.</b></p> <p><b>Always use caution when refueling. Refuel only when the engine is stopped and the fuel system is cool. Never use the machine until the fuel system is cool.</b></p> <p><b>Always use the correct blade for the type of work being done. Check with the blade manufacturer for details on how the blade is used.</b></p> <p><b>Always use caution when refueling. Refuel only when the engine is stopped and the fuel system is cool. Never use the machine until the fuel system is cool.</b></p>	<p><b>Always use the correct blade for the type of work being done. Check with the blade manufacturer for details on how the blade is used.</b></p> <p><b>Always use caution when refueling. Refuel only when the engine is stopped and the fuel system is cool. Never use the machine until the fuel system is cool.</b></p> <p><b>Always use the correct blade for the type of work being done. Check with the blade manufacturer for details on how the blade is used.</b></p> <p><b>Always use caution when refueling. Refuel only when the engine is stopped and the fuel system is cool. Never use the machine until the fuel system is cool.</b></p> <p><b>Always use the correct blade for the type of work being done. Check with the blade manufacturer for details on how the blade is used.</b></p> <p><b>Always use caution when refueling. Refuel only when the engine is stopped and the fuel system is cool. Never use the machine until the fuel system is cool.</b></p>
--	---	---

FORWARD

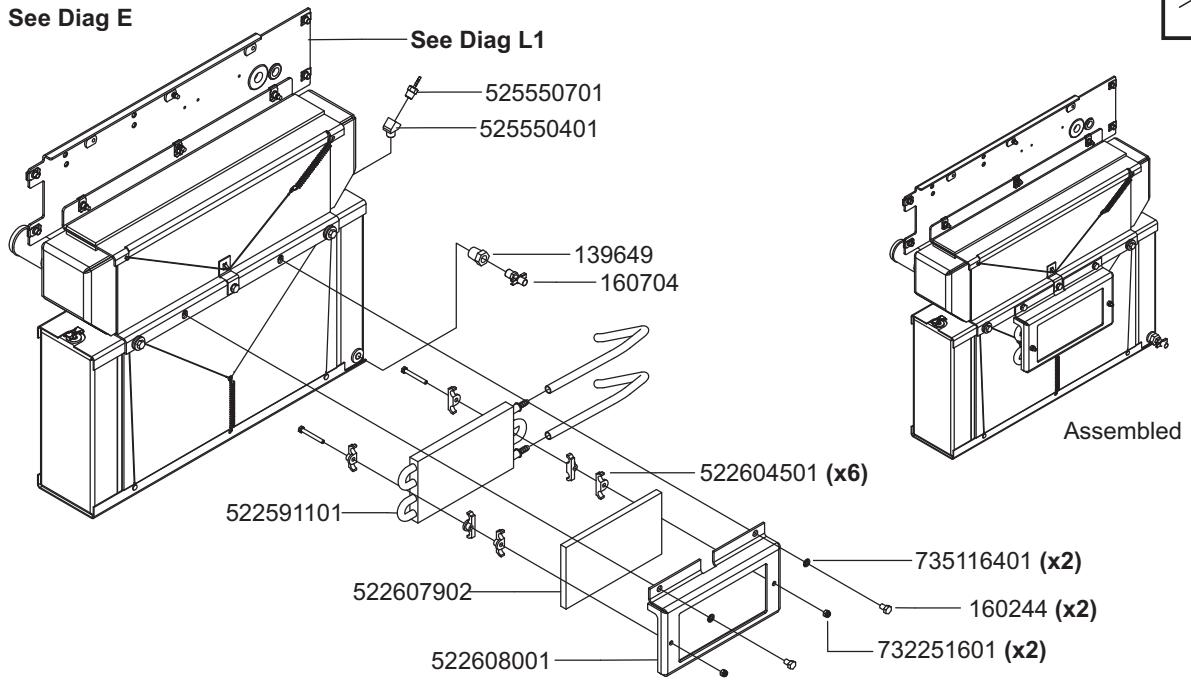
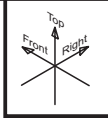
STOP

LOWER BLADE

REVERSE

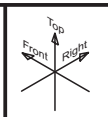
# E1 Fuel Cooler

See Diag E

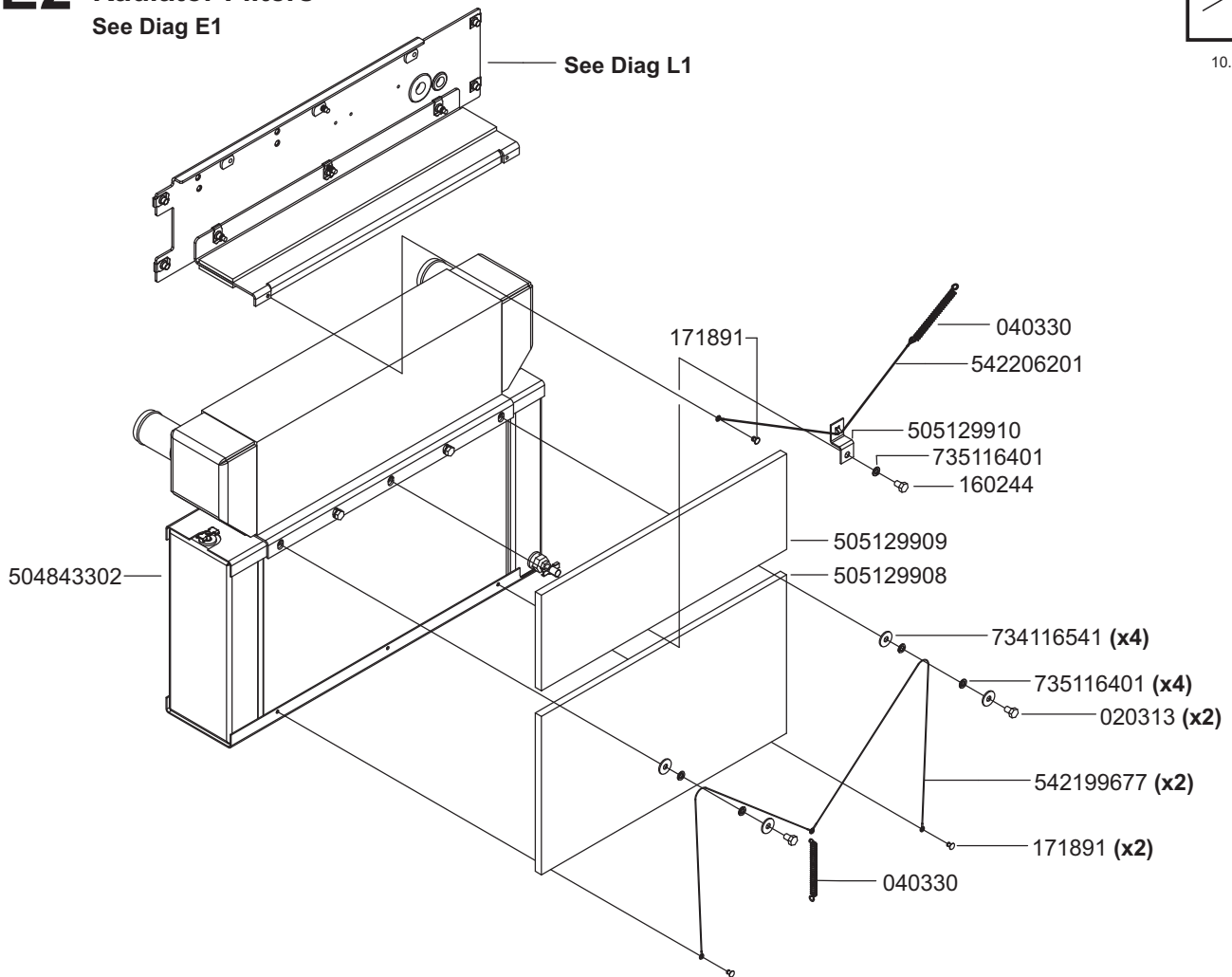


# E2 Radiator Filters

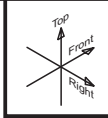
See Diag E1



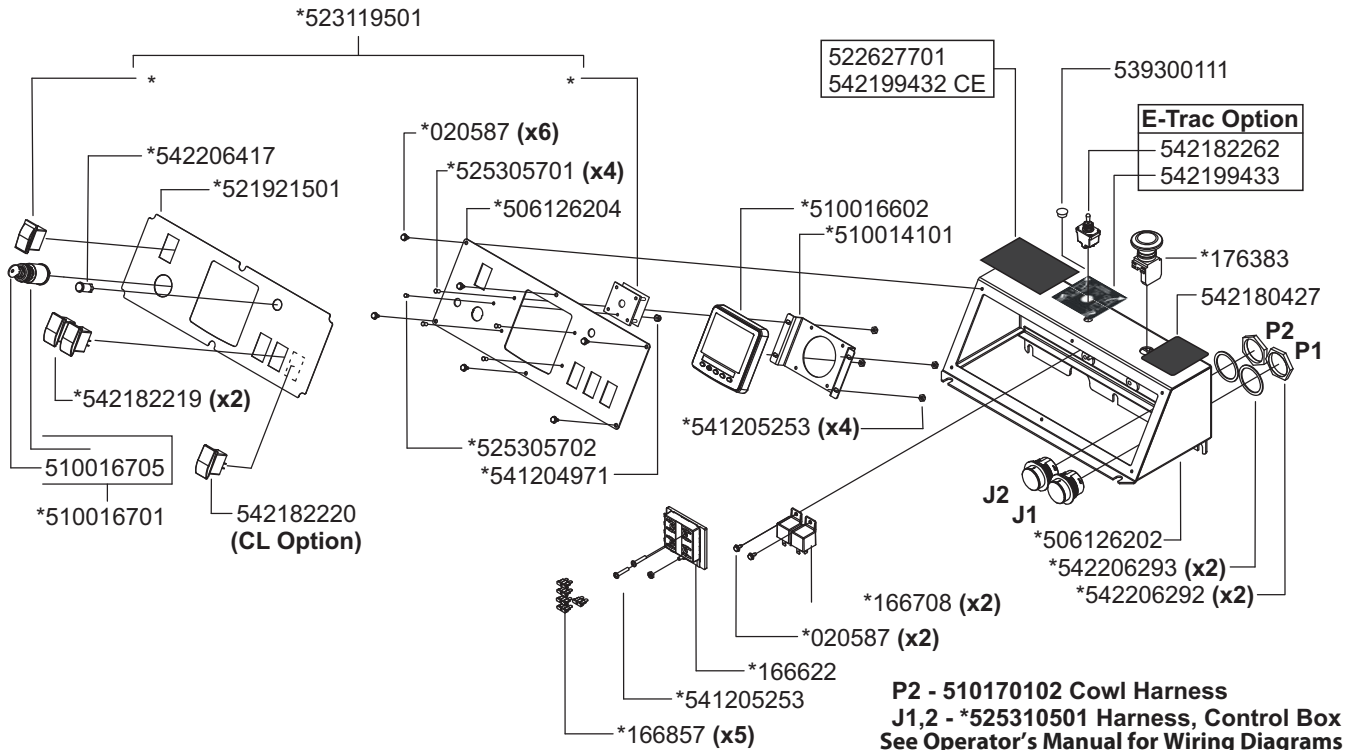
10.13.09



# F1 Control Box - 1-Speed



10.26.09



Saw Serial Number	Below 1268338	Above 1268339
<b>P1 - JD Engine Serial Number</b>	Below & Including <b>PE50306018900</b>	Engine # Above <b>PE50306018900</b>
Engine Harness	510170101	574742401
Control Box Harness	525310501	574742402
*Control Box - Compl Kit, Canbuss Node	510182601	574744101
Kit, Prox. Switch	522891901	None Needed
	542206634	574744202

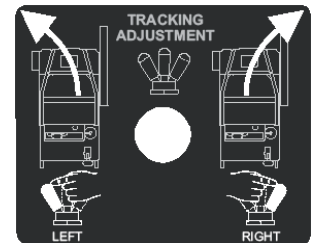
525606002

ENGINE SPEED / BLADE SIZE					
BLADE SIZE	FLANGE SIZE	BLADE SHAFT LOADED RPM	PULLEY SIZE	JD ENGINE SPEED RATED RPM	PULLEY SIZE
18"	5"	2400	4.12"	2800	4.75"
26"	5"	1800	4.75"	2800	4.12"
30"	5"	1600	4.75"	2800	3.65"
36"	6"	1350	5.60"	2800	3.65"
48"	8"	1080	6.9"	2800	3.65"
60"	10"	810	9.3"	2800	3.65"

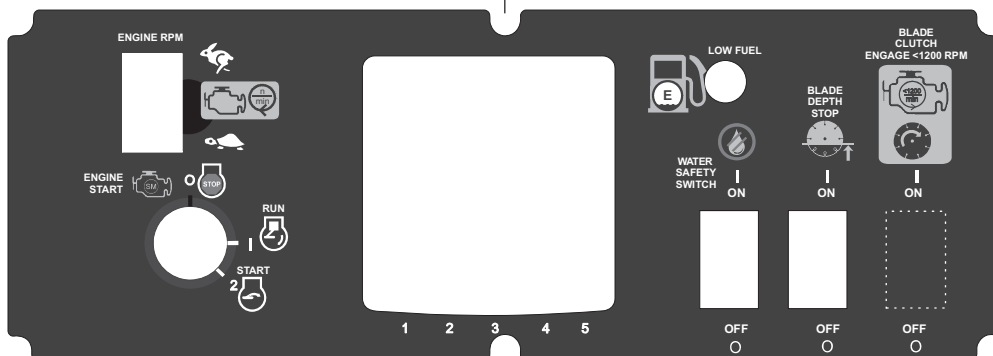
542199586 CE

Blade Size	Flange Size	Blade Shaft Loaded RPM	Pulley Size	JD Engine Speed Rated RPM	Pulley Size
450 mm	127 mm	105 mm	2400	400 - 450 mm	121 mm
650 mm	127 mm	120 mm	1800	600 - 650 mm	105 mm
750 mm	127 mm	120 mm	1600	700 - 750 mm	93 mm
900 mm	162 mm	142 mm	1350	750 - 900 mm	93 mm
1200 mm	203 mm	175 mm	1080	1000 - 1200 mm	93 mm
1500 mm	250 mm	235 mm	810	1250 - 1500 mm	93 mm

542199433



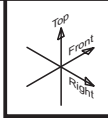
\*521921501



542180427

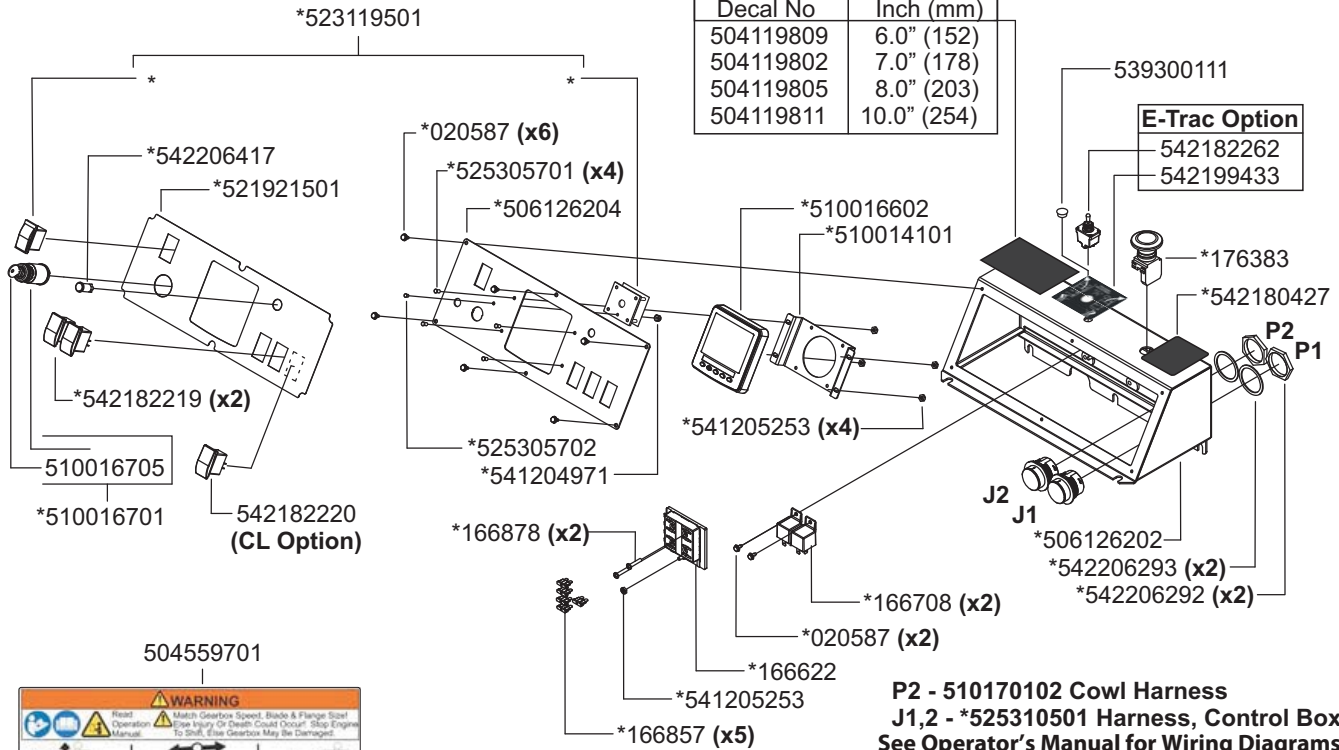
Covered By One Or More Of The Following U.S. Patents:  
 4333685, 4333686, 4744604, 4827558, 921308, 4968095, 4966604, 521946, 5381730, 5477841, 5680854, 5690334, 5743247, 5809955, 5810448, D337037, D3415101, D369818, D371375, D373094  
 Other U.S. And Foreign Patents Pending

# F2 Control Box - 3-Speed



10.26.09

G-Box Range / Blade RPM	
Decal No	Flange Dia Inch (mm)
504119809	6.0" (152)
504119802	7.0" (178)
504119805	8.0" (203)
504119811	10.0" (254)



**E-Trac Option**  
542182262  
542199433

**P2 - 510170102 Cowl Harness**  
**J1,2 - \*525310501 Harness, Control Box**  
See Operator's Manual for Wiring Diagrams



Saw Serial Number	Below 1268338	Above 1268339
<b>P1 - JD Engine Serial Number</b>	Below & Including <b>PE50306018900</b>	Engine # Above <b>PE50306018900</b>
Engine Harness	510170101	574742401
Control Box Harness	525310501	574742402
*Control Box - Compl Kit, Canbuss Node	510182601	574744101
Kit, Prox. Switch	542206634	574744202

GEARBOX RANGE / BLADE RPM (20-36, FS 6600 / FS 8400) PIN 504 11 98-09					
FLANGE SIZE	BLADE SIZE (Maximum)	GEARBOX RANGE		BLADE RPM	ENGINE RPM
		GEAR	PULLEY	RPM	PULLEY
8.00" 152 mm	20" 508 mm	3	4.12"	2300	4.75"
		2	105 mm	1620	121 mm
		1	1360	3000 (Medium)	2800 (Loaded)

504119809

GEARBOX RANGE / BLADE RPM (28-42, FS 6600 / FS 8400) PIN 504 11 98-02					
FLANGE SIZE	BLADE SIZE (Maximum)	GEARBOX RANGE		BLADE RPM	ENGINE RPM
		GEAR	PULLEY	RPM	PULLEY
7.00" 178 mm	28" 680 mm	3	4.12"	1960	5.80"
		2	106 mm	1380	142 mm
		1	1160	3000 (Medium)	2800 (Loaded)

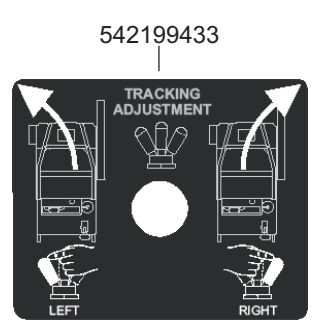
504119802

GEARBOX RANGE / BLADE RPM (30-48, FS 8400) PIN 504 11 98-05					
FLANGE SIZE	BLADE SIZE (Maximum)	GEARBOX RANGE		BLADE RPM	ENGINE RPM
		GEAR	PULLEY	RPM	PULLEY
8.00" 203 mm	30" 762 mm	3	4.12"	1600	6.90"
		2	105 mm	1150	175 mm
		1	960	3000 (Medium)	2800 (Loaded)

504119805

GEARBOX RANGE / BLADE RPM (36-60, FS 8400) PIN 504 11 98-01					
FLANGE SIZE	BLADE SIZE (Maximum)	GEARBOX RANGE		BLADE RPM	ENGINE RPM
		GEAR	PULLEY	RPM	PULLEY
10.00" 254 mm	36" 900 mm	3	4.75"	1360	9.30"
		2	121 mm	960	236 mm
		1	820	2800 (RATED)	

504119811



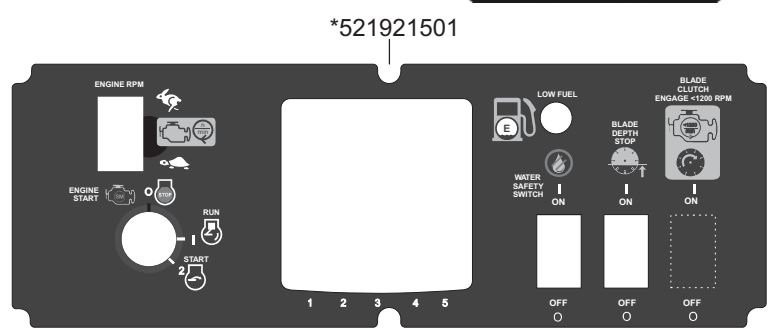
542199433

542180427

Covered By One Or More Of The Following U.S. Patents:

4333685, 4333686, 4744604, 4827555, 4821308, 4868095, 4966604, 5241946, 5381730, 5477844, 5580854, 5690534, 5743247, 5809955, 5810448, D337037, D346101, D369816, D374375, D373094

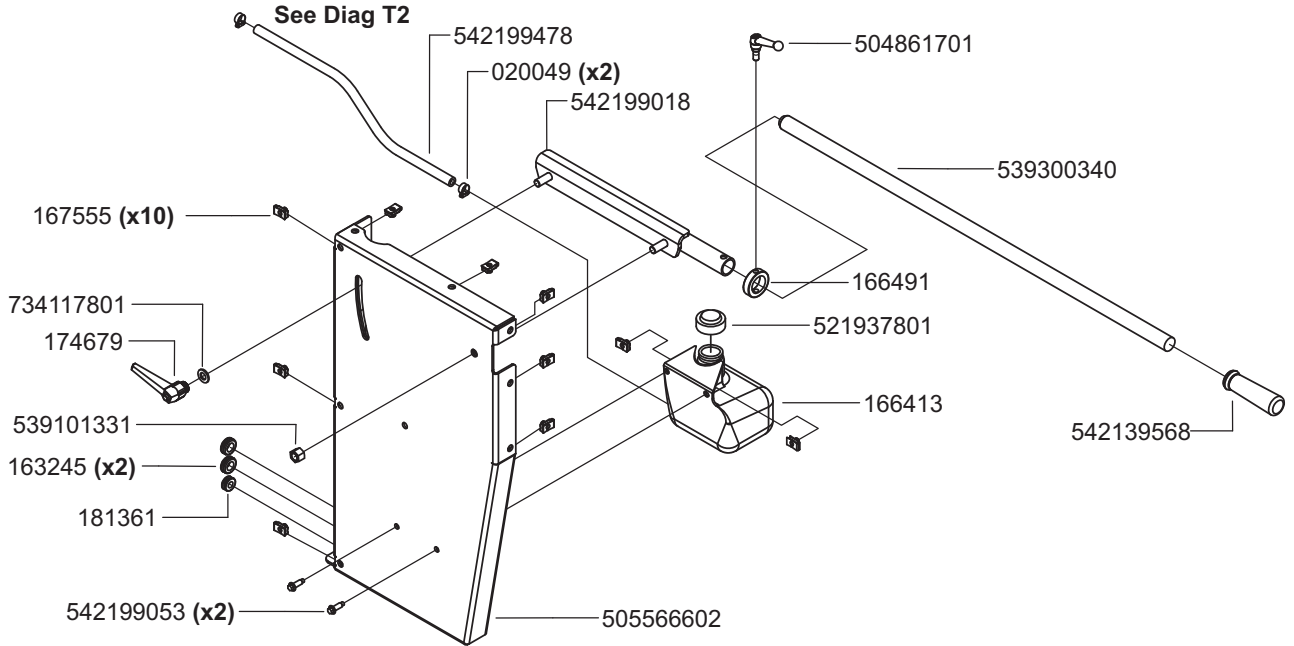
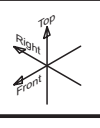
Other U.S. And Foreign Patents Pending



\*521921501

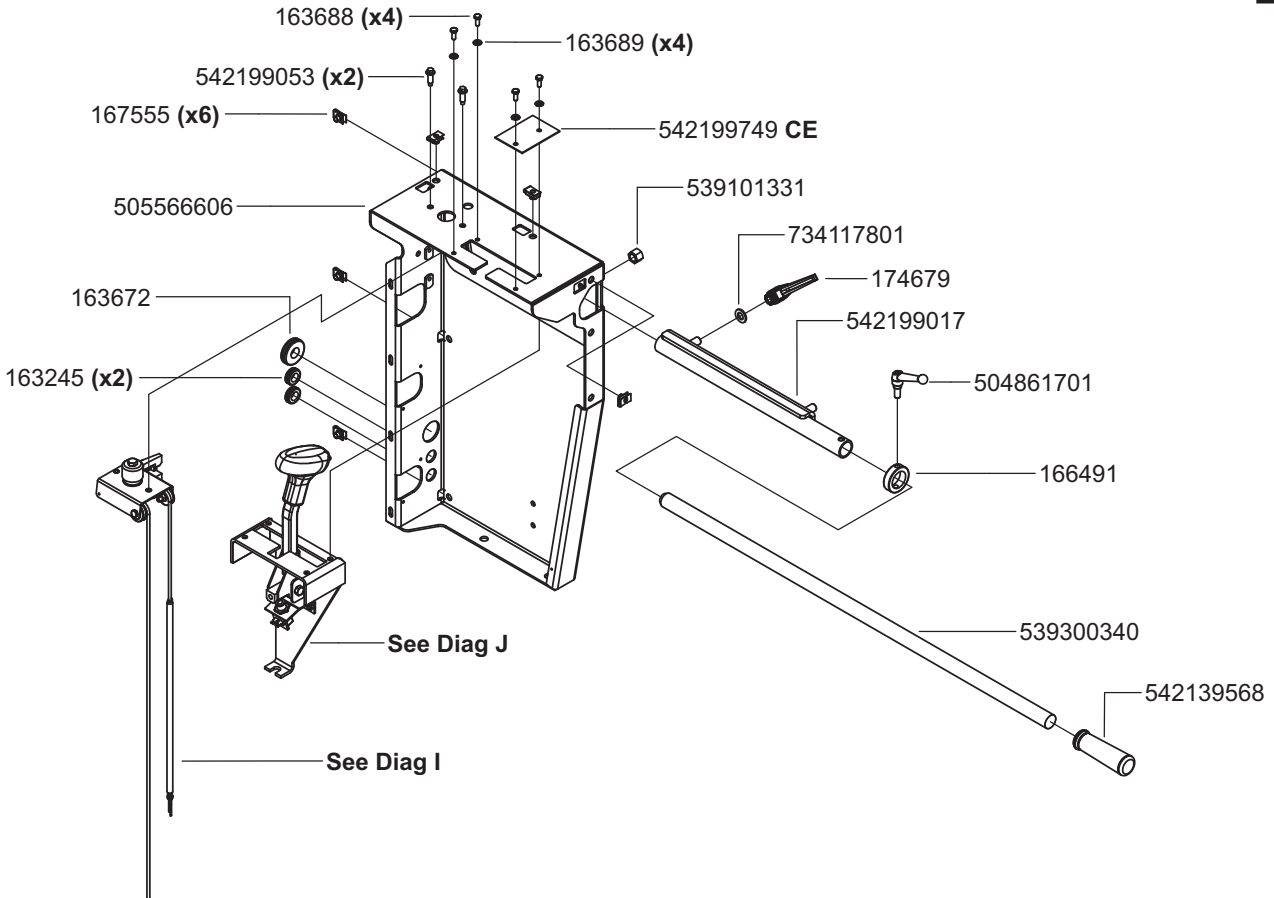
# G Cowling Side - L.H.

See Diag E1



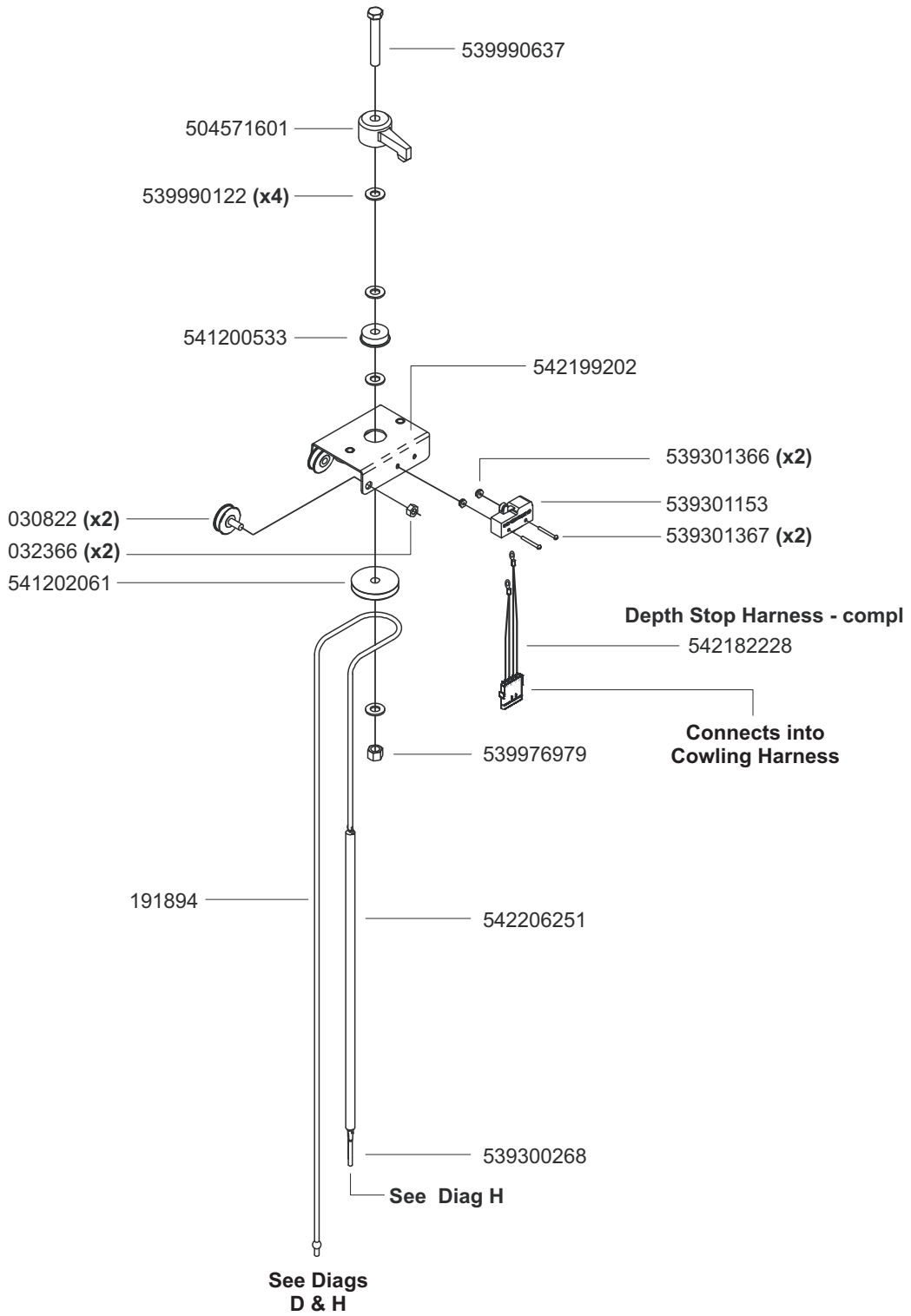
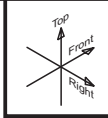
# H Cowling Side - R.H.

See Diag E1



# Depth Indicator

See Diag H

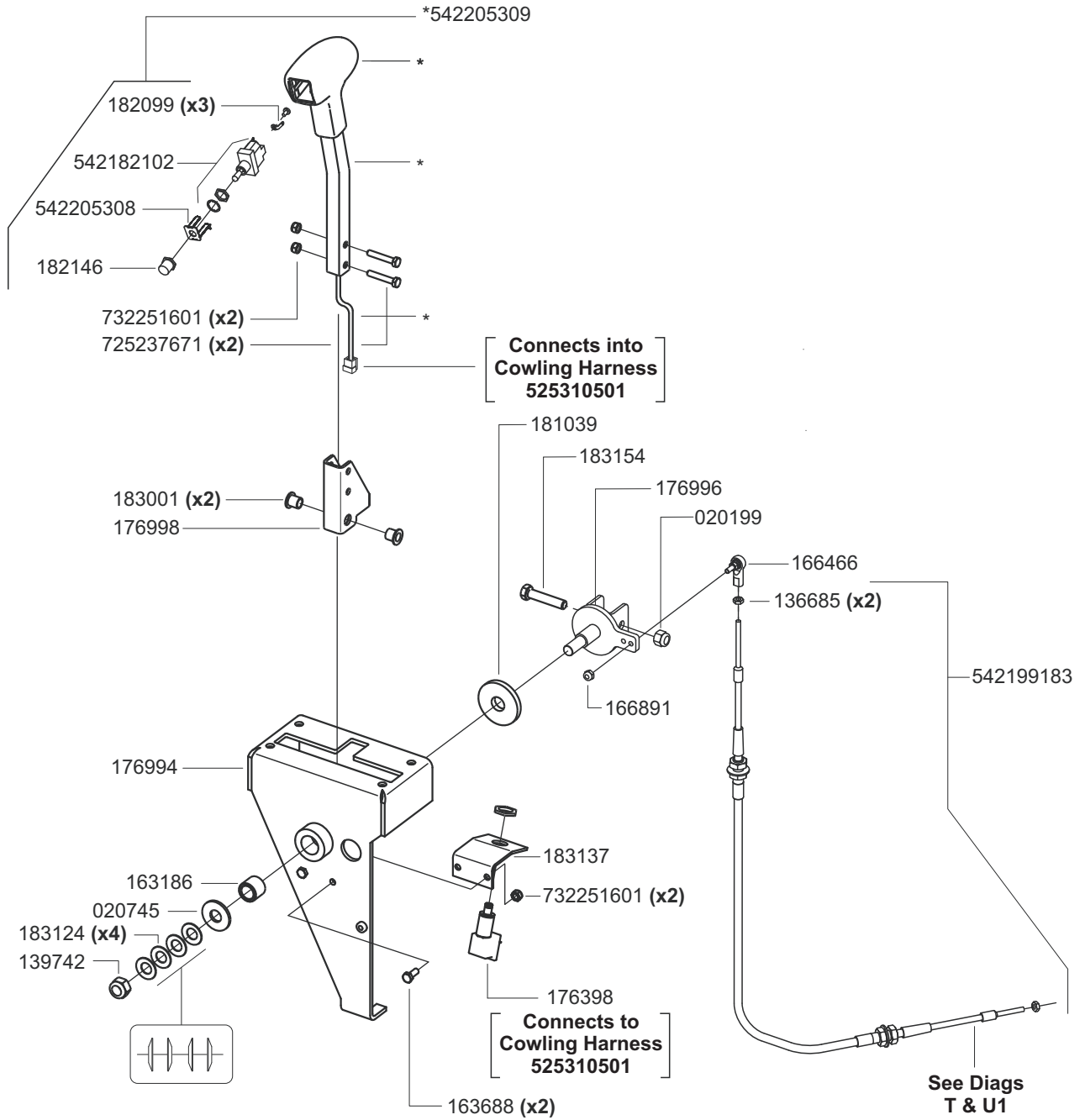
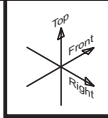




# J Speed Control

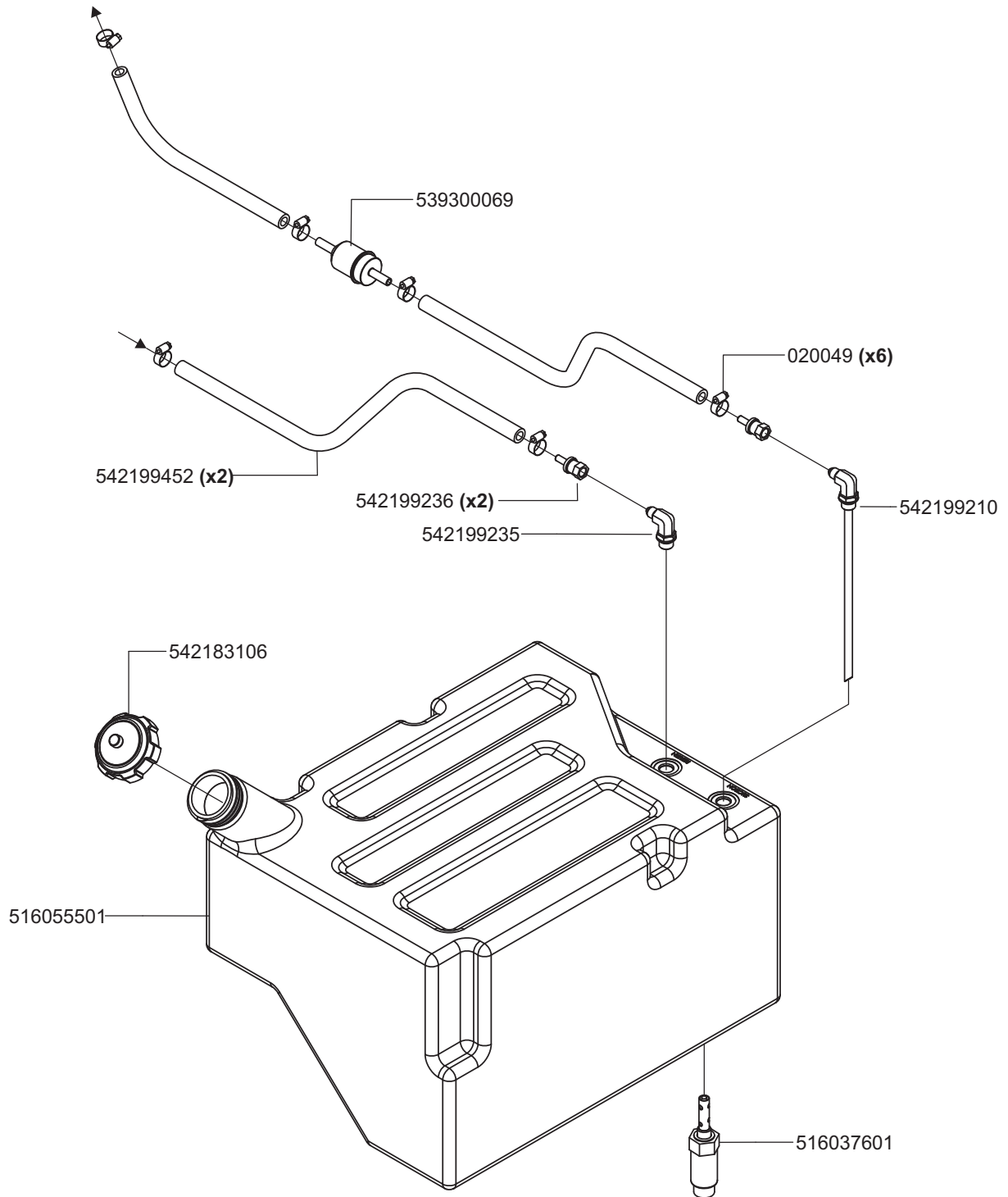
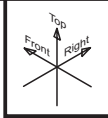
Speed Control - Compl 542199451  
See Diag H

\*Handle & Switch - Compl 542199222



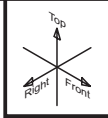
# K Fuel Tank

See Diag E

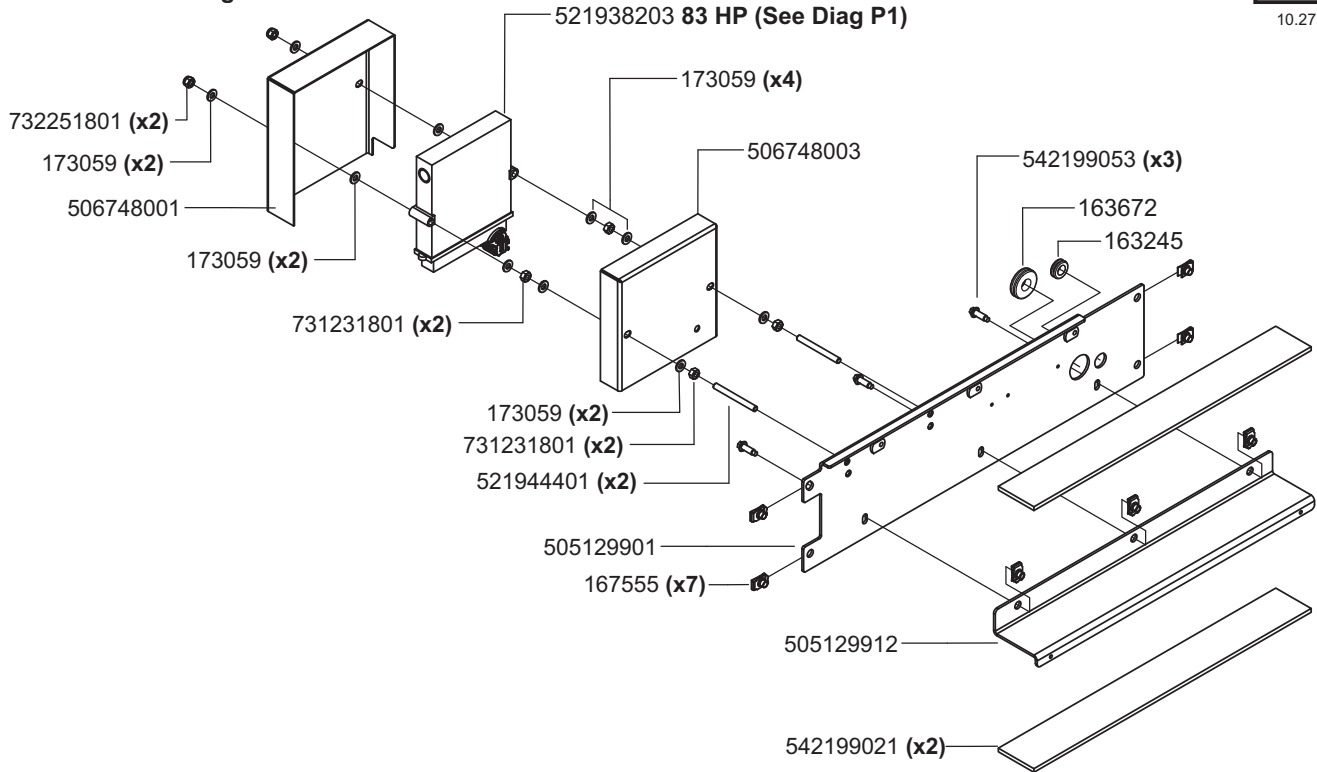


# L1 Cowling - Front

See Diag E

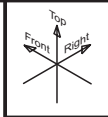


10.27.09

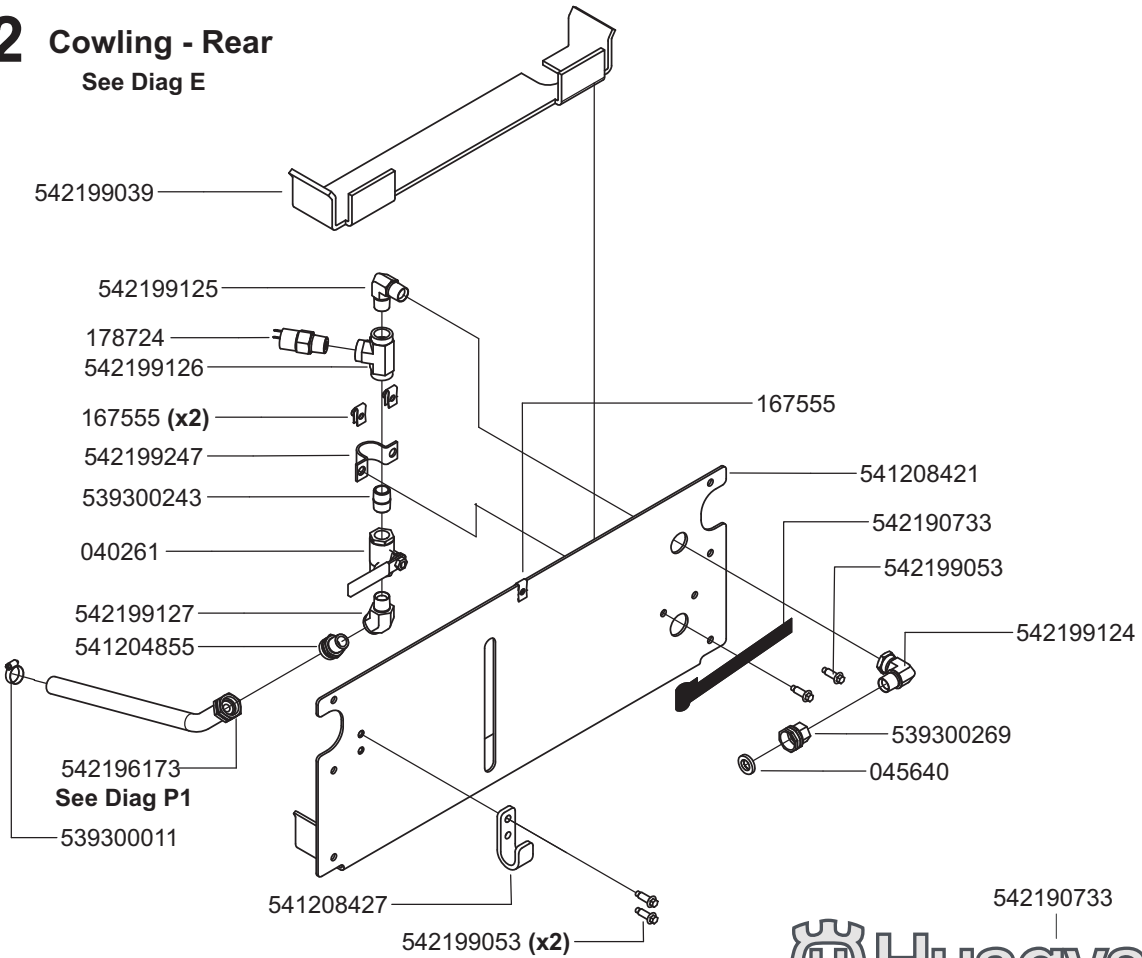


# L2 Cowling - Rear

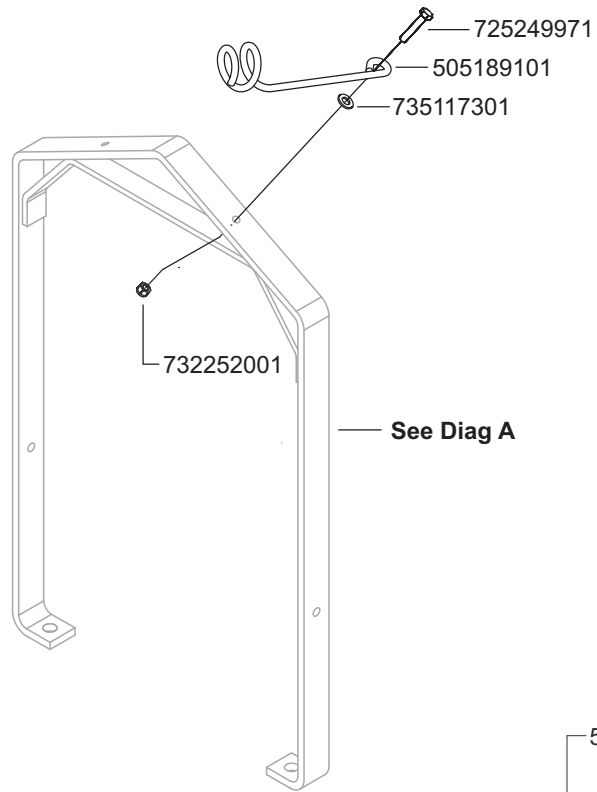
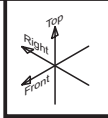
See Diag E



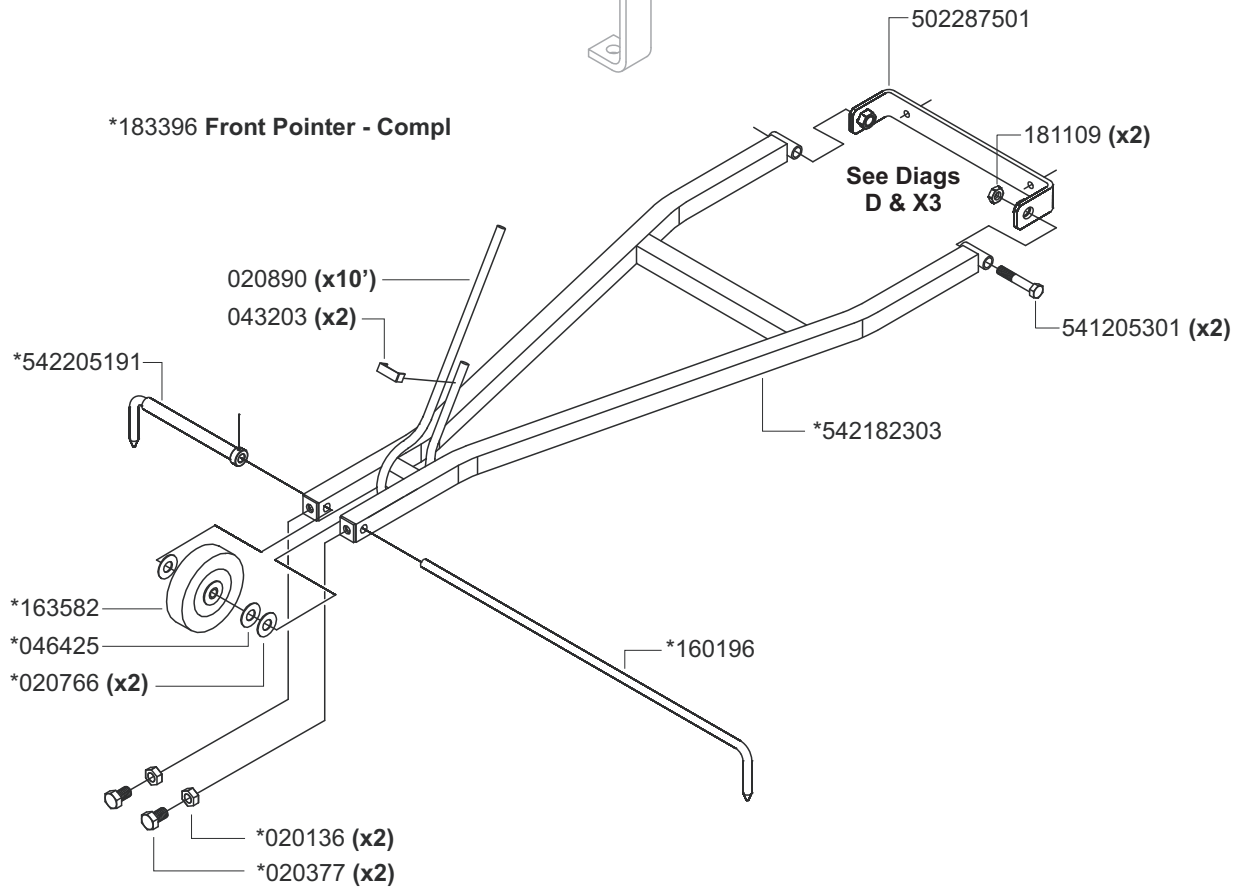
10.25.09



# M Front Pointer & Rope Guide

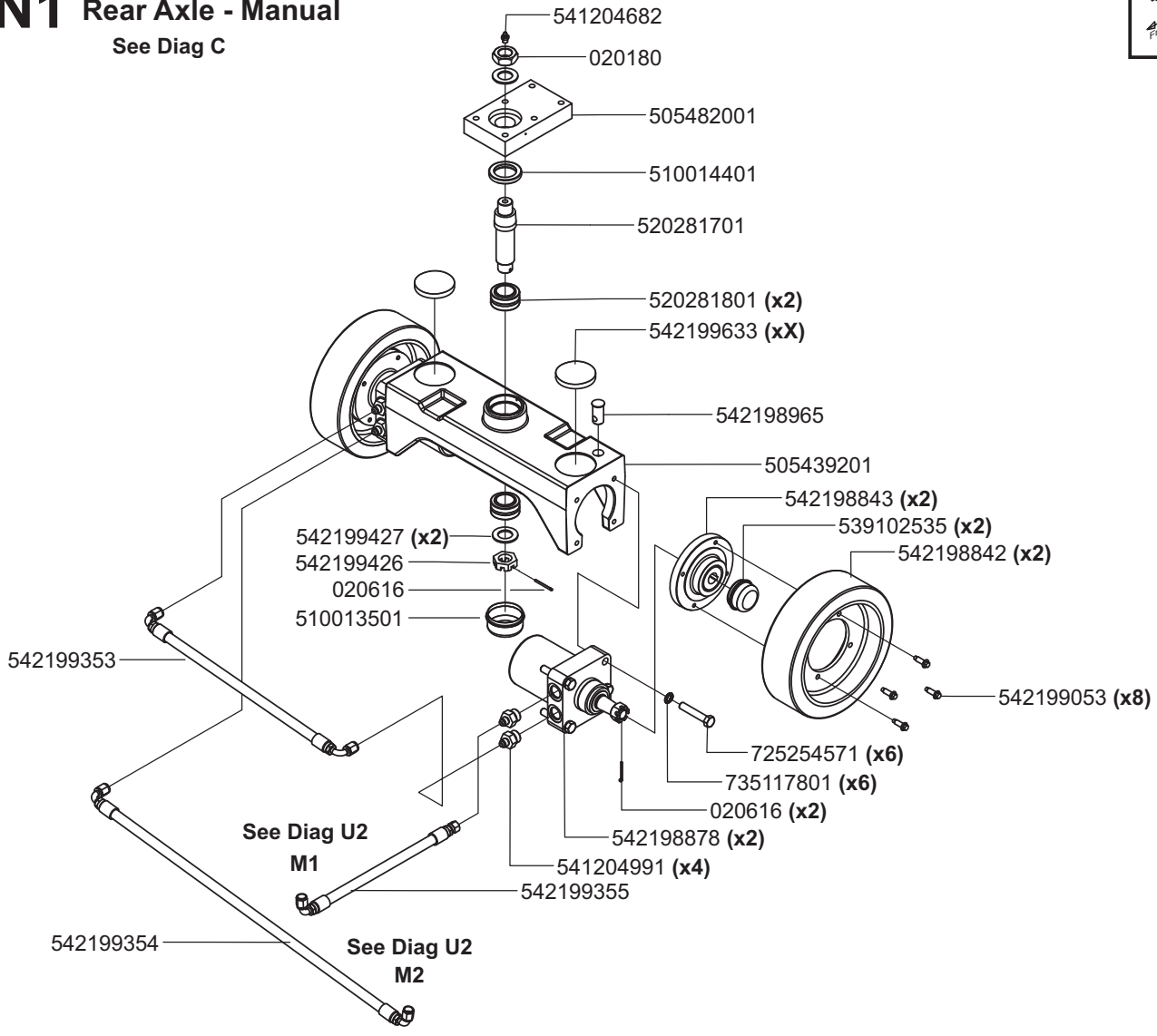
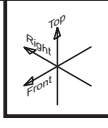


**\*183396 Front Pointer - Compl**



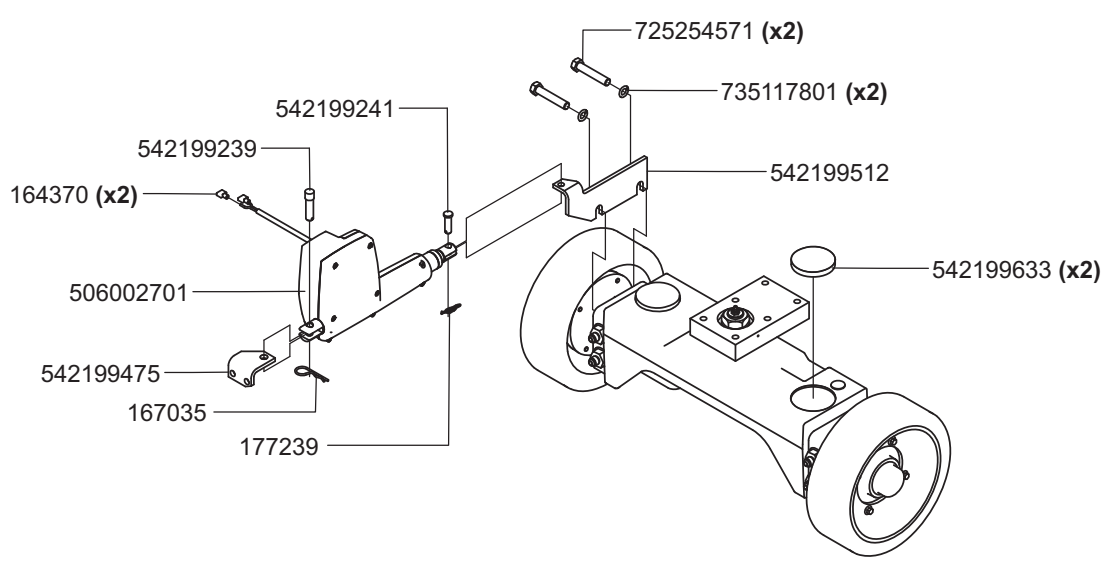
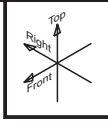
# N1 Rear Axle - Manual

See Diag C



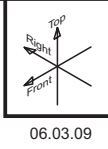
# N2 Rear Axle - E-Track

See Diag C

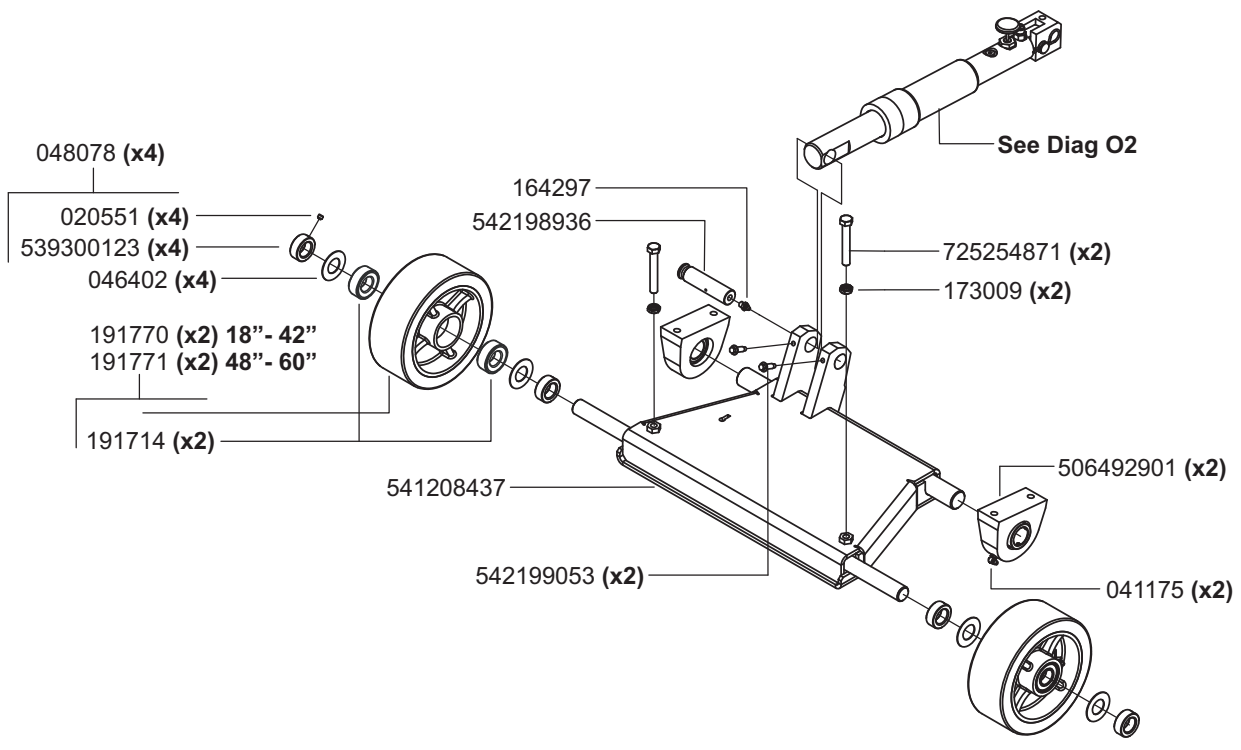


# O1 Front Axle

See Diag D

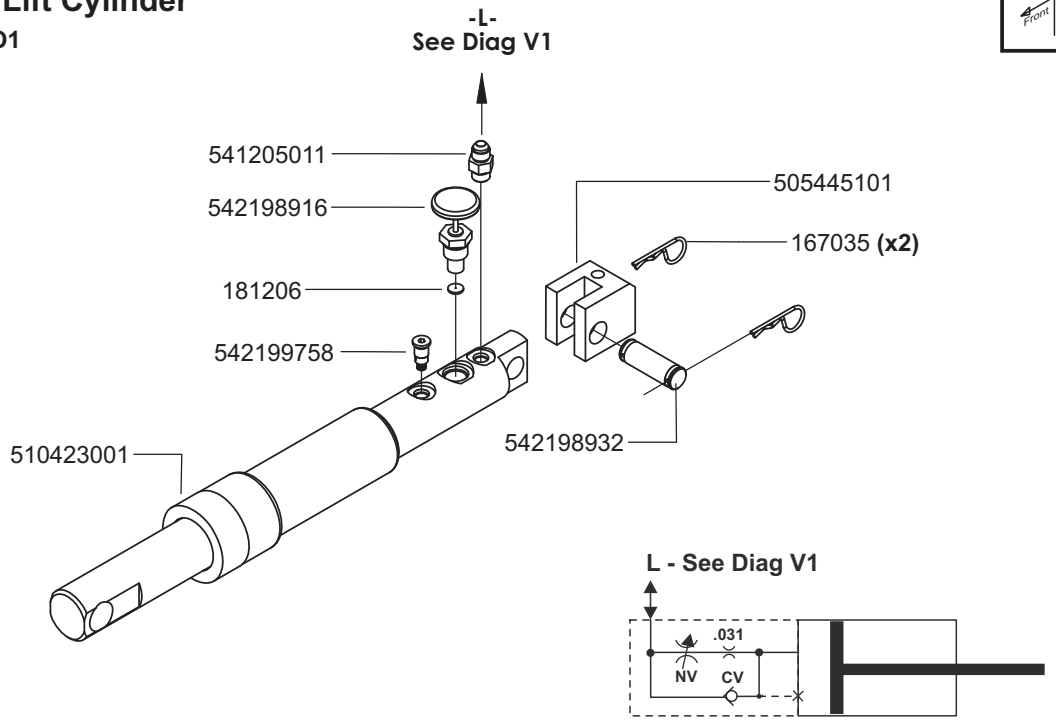
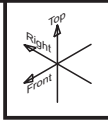


06.03.09



# O2 Hydraulic Lift Cylinder

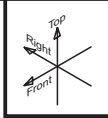
See Diag O1



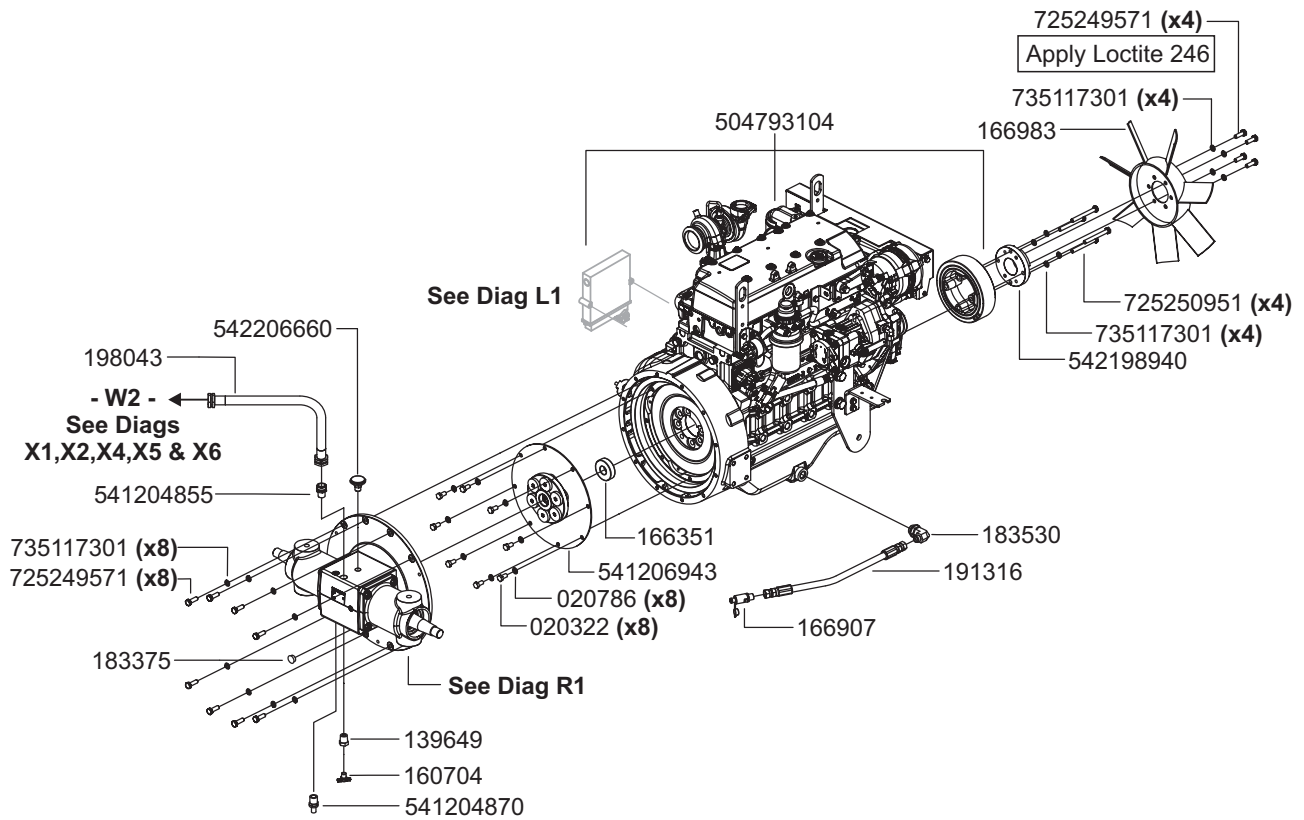
**HYDRAULIC SCHEMATIC**  
(See OperatorsManual)

# P1 Engine, Fan & Gearbox

**\*\* 1-Speed \*\***



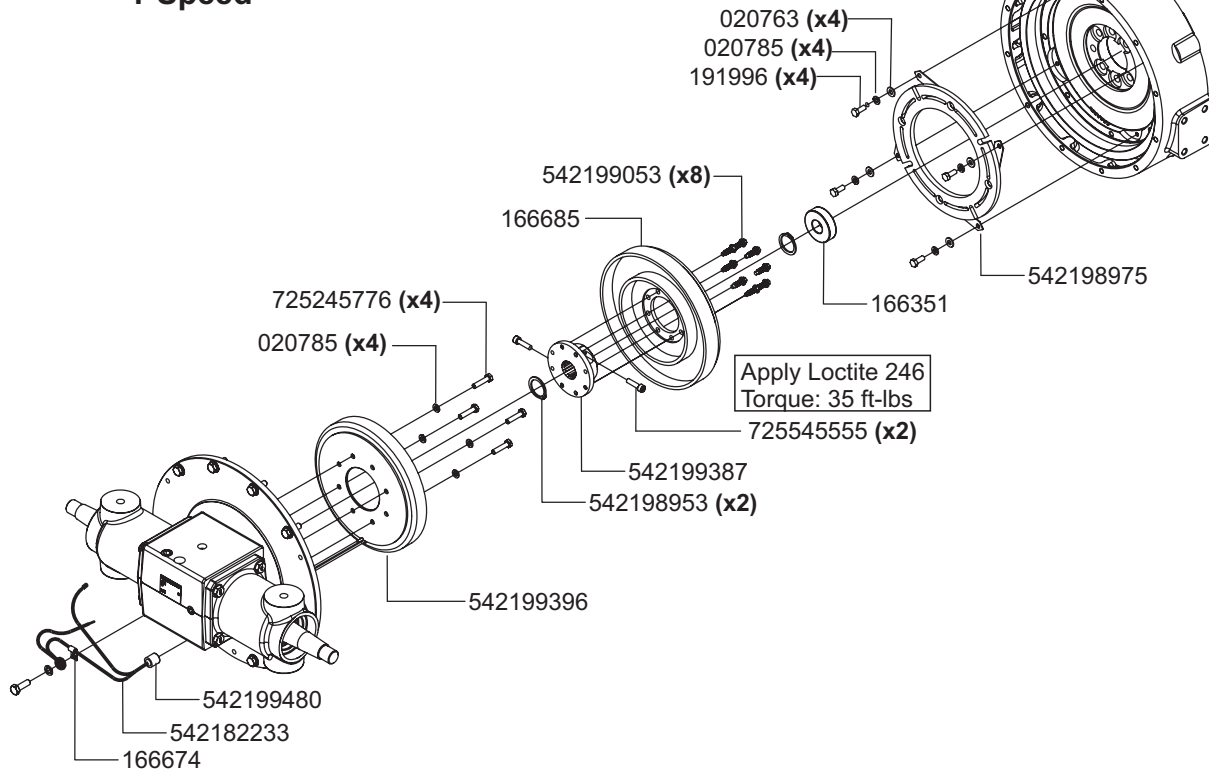
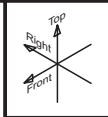
10.27.09



**NOTE:** Drain water when Temperature below 32°F (0°C).

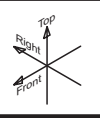
# P2 Engine Gearbox-Clutch

**\*\* 1-Speed \*\***



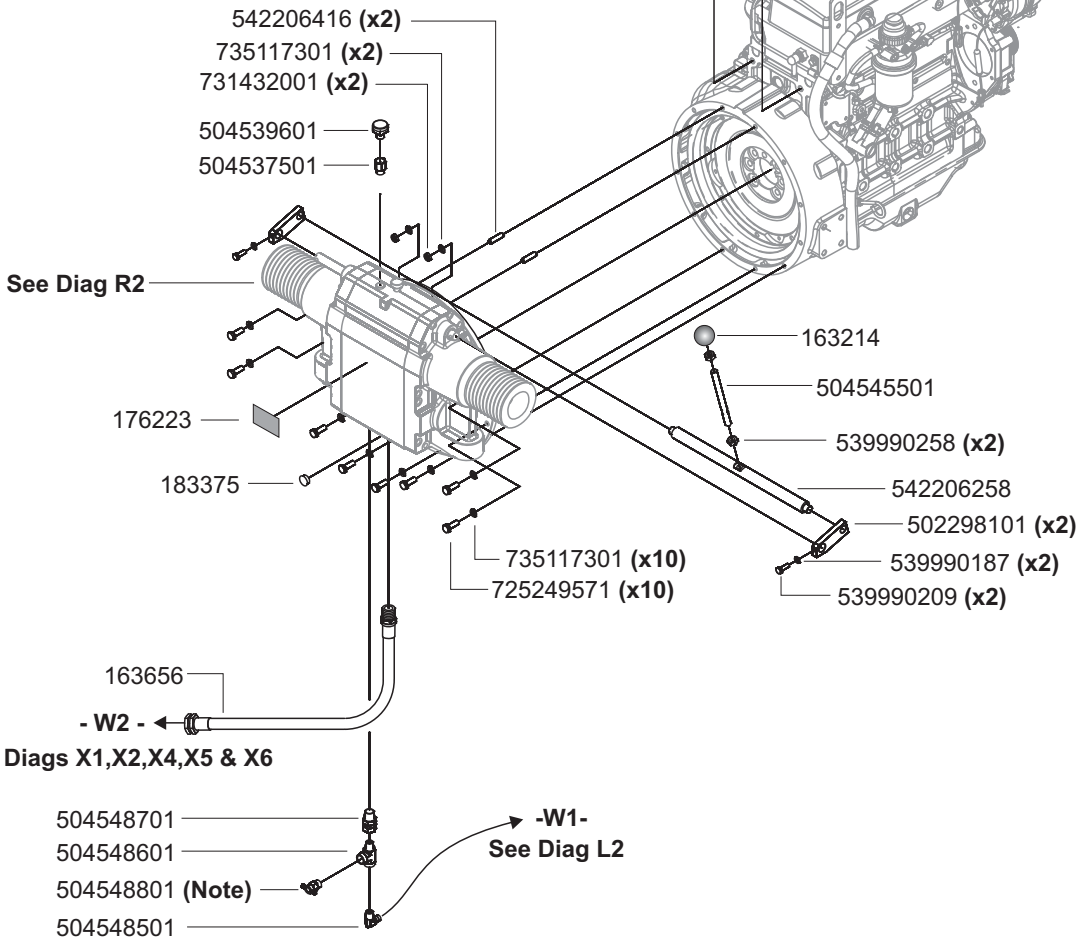
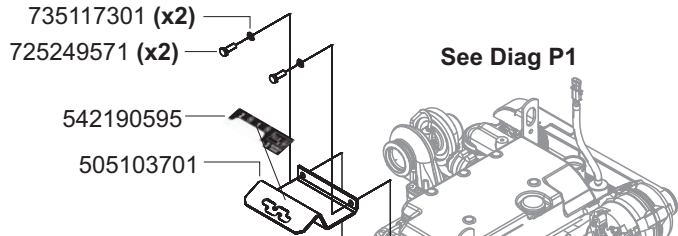
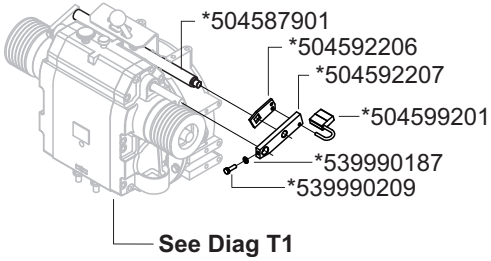
# P3 Gearbox & Belt Guard

## \*\* 3 - Speed \*\*



10.27.09

\*504610102 Kit, Shifter Lockout  
(Includes 504611001 Inst Sheet)

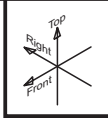


**NOTE:** Drain water when Temperature below 32°F (0°C).

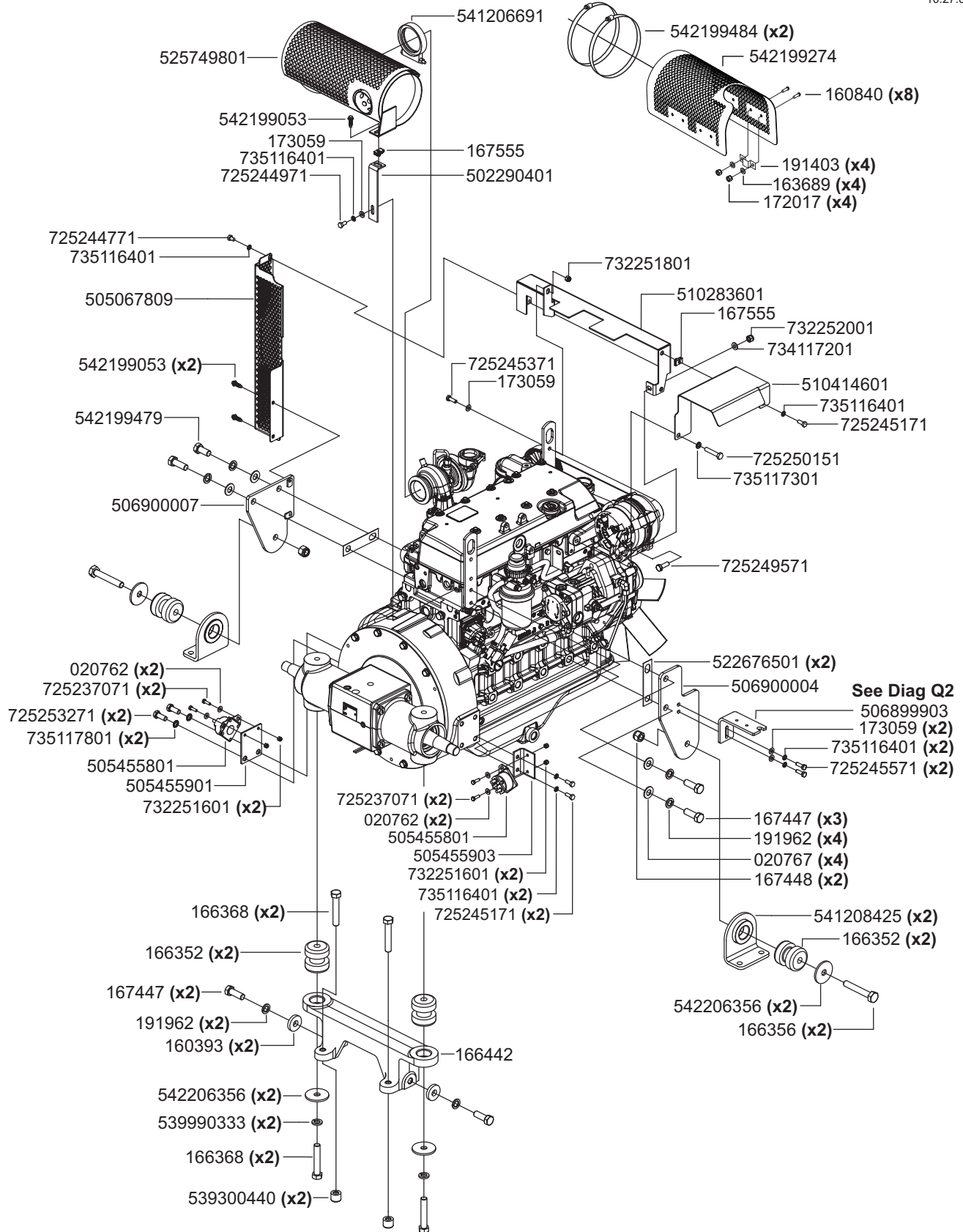




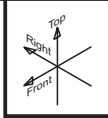
# Q1 Engine Mounting, Guards & Muffler



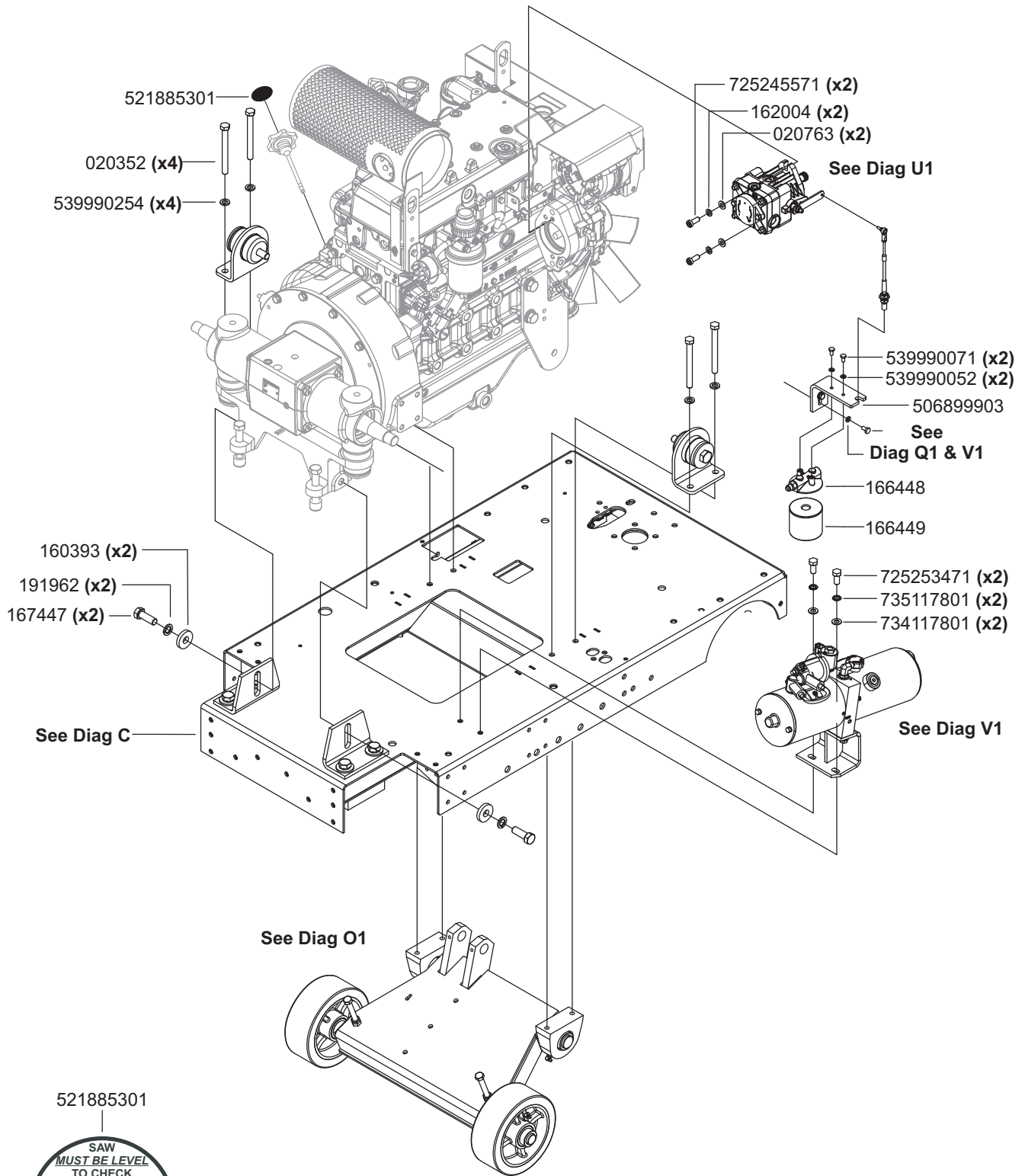
10.27.09



# Q2 Engine Mounting



10.13.09



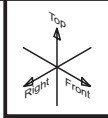
521885301

SAW  
MUST BE LEVEL  
TO CHECK  
ENGINE OIL

**CAUTION**

# R1 Gearbox - Blade Shaft - FS8400 T3

**\*\*1-Speed\*\***



10.27.09

Pulley No	Dia	Blade
542199532 (x2)	4.75"	18/20"
542199531 (x2)	4.12"	26"
542199530 (x2)	3.65"	30-60"

541207100 - Kit, Sheave Puller (Optional)

- 166480 (x2)
- 020180 (x2)

542199481  
See Diag P1

164632 (x2)

**Gearbox Serial Number**

- 504836801 (x1) Seal, Input Shaft
- 504836802 (x2) Seal, Output Shaft

5-Band 3VX	Size	Blade
542199700 (x4)	465	18-26, 36" & 48"
542199766 (x4)	450	30"
504119709 (x4)	475	42"
541201908 (x4)	500	60"

- 020790
- 020767
- 020747
- 160393 (x2)
- 163487 **RH** 18-48"
- 163489 60"

- 542199045 (x2)
- 542206535  
See Diag D,S

Pulley No	Dia	Blade
542199533 (x2)	4.12"	18/20"
542199534 (x2)	4.75"	26-30"
542199535 (x2)	5.60"	36"
542199746 (x2)	6.40"	42"
542199536 (x2)	6.90"	48"
542199537 (x2)	9.30"	60"

Inner Flange	Dia	Blade
541206888 (x2)	5"	20-30"
542198864 (x2)	6"	36"
542199317 (x2)	7"	42"
542199331 (x2)	8"	48"
542199570 (x2)	10"	60"

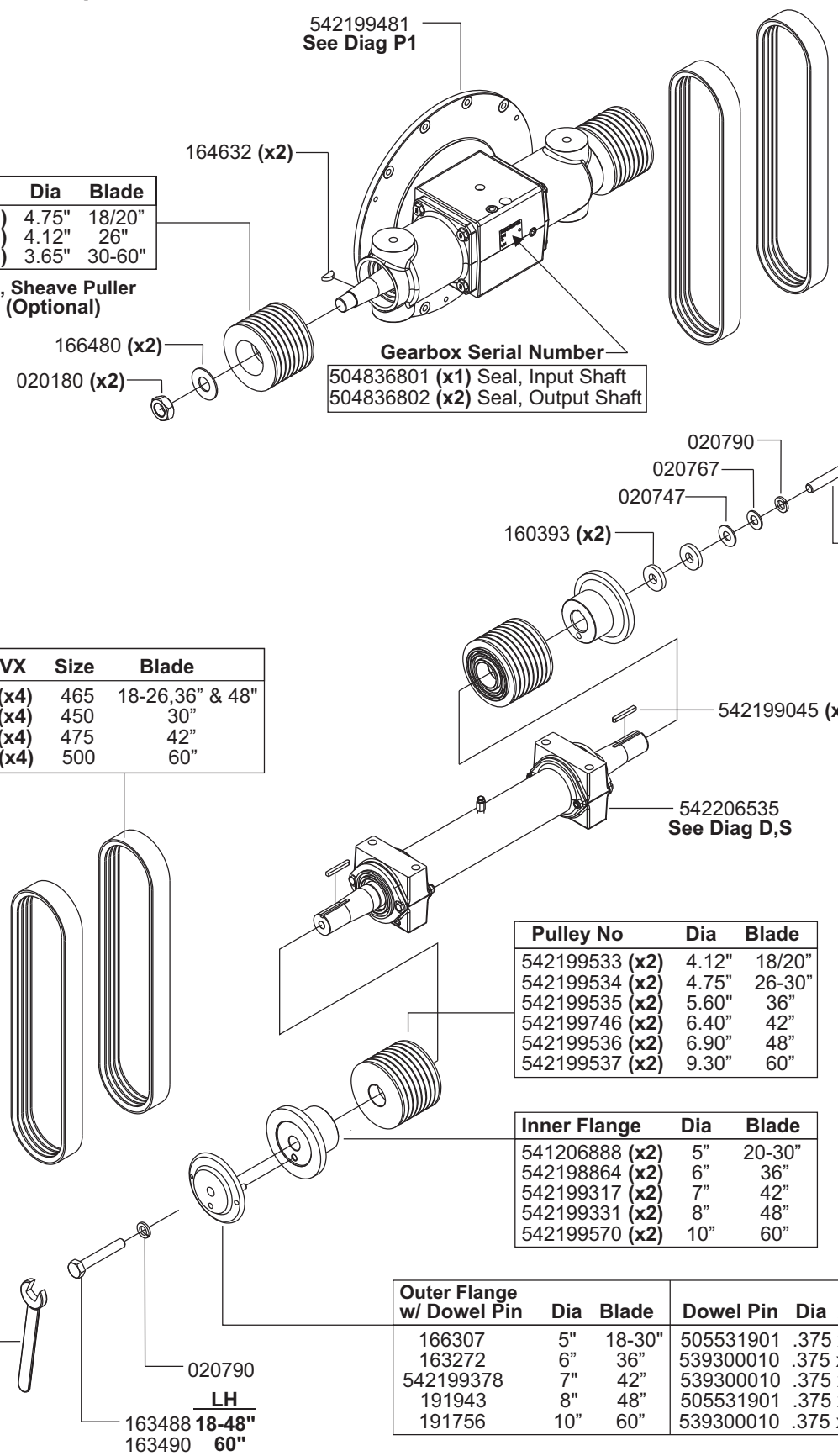
Outer Flange w/ Dowel Pin	Dia	Blade	Dowel Pin	Dia x Lg
166307	5"	18-30"	505531901	.375 x 1.50"
163272	6"	36"	539300010	.375 x 1.75"
542199378	7"	42"	539300010	.375 x 1.75"
191943	8"	48"	505531901	.375 x 1.50"
191756	10"	60"	539300010	.375 x 1.75"

539300133

020790

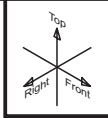
**LH**

- 163488 18-48"
- 163490 60"

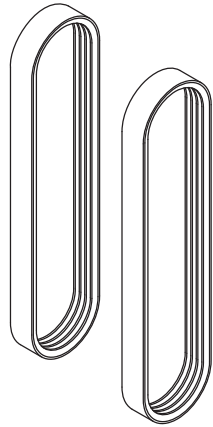


# R2 Gearbox - Blade Shaft - FS8400 T3

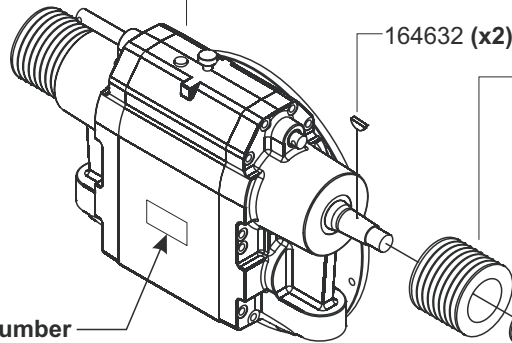
**\*\* 3-Speed \*\***



10.27.09



542199836  
See Diag P1 & P4

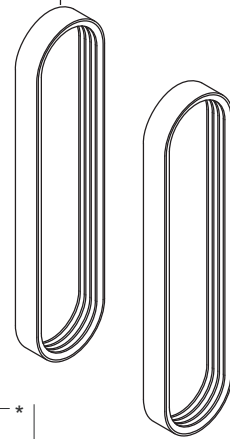


Engine Pulley No	Pulley Dia	Flange Dia
542199531 (x2)	4.12"	5.0" - 8.0"
542199532 (x2)	4.75"	10.0"

5-Band V-Belt	3VX	Size	Flange Dia
504119705	(x4)	545	5.0"
541201118	(x4)	560	6.0", 8.0"
504119710	(x4)	570	7.0"
541201115	(x4)	600	10.0"

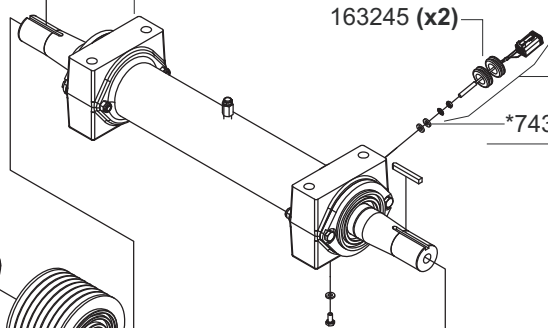
**Gearbox Serial Number**  
504836801 (x1) Seal, Input Shaft  
504836802 (x2) Seal, Output Shaft

164632 (x2)  
166480 (x2)  
020180 (x2)



542199045 (x2)  
542206535  
See Diag D & S

539990333  
163488 LH  
539300133



163245 (x2)  
\*74380801

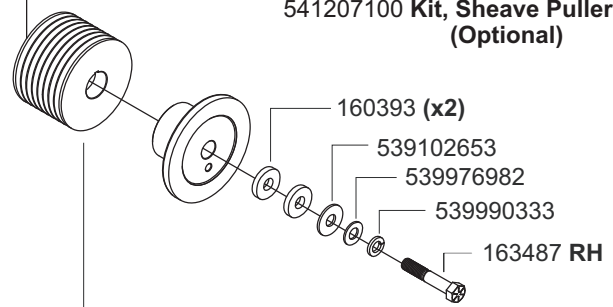
\* Proximity Switch Kit:  
574744202

Kits Include:  
\*Proximity Switch w/Connector,  
\*542201113 Instruction Sheet &  
\*542206478 Alignment Tool

541207100 Kit, Sheave Puller (Optional)

Inner Flange	Dia
541206888 (x2)	5.0"
542198864 (x2)	6.0"
542199317 (x2)	7.0"
542199331 (x2)	8.0"
542199570 (x2)	10.0"

Outer Flange w/ Dowel Pin	Dia	Dowel Pin	Dia x Lg
166307	5.0"	505531901	.375 x 1.50"
163272	6.0"	539300010	.375 x 1.75"
542199378	7.0"	539300010	.375 x 1.75"
191943	8.0"	539300010	.375 x 1.75"
191756	10.0"	539300010	.375 x 1.75"

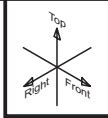


Bladeshaft Pulley No	Pulley Dia	Flange Dia
542199533 (x2)	4.12"	5.0"
542199534 (x2)	4.75"	6.0"
542199535 (x2)	5.60"	7.0"
542199536 (x2)	6.90"	8.0"
542199537 (x2)	9.30"	10.0"

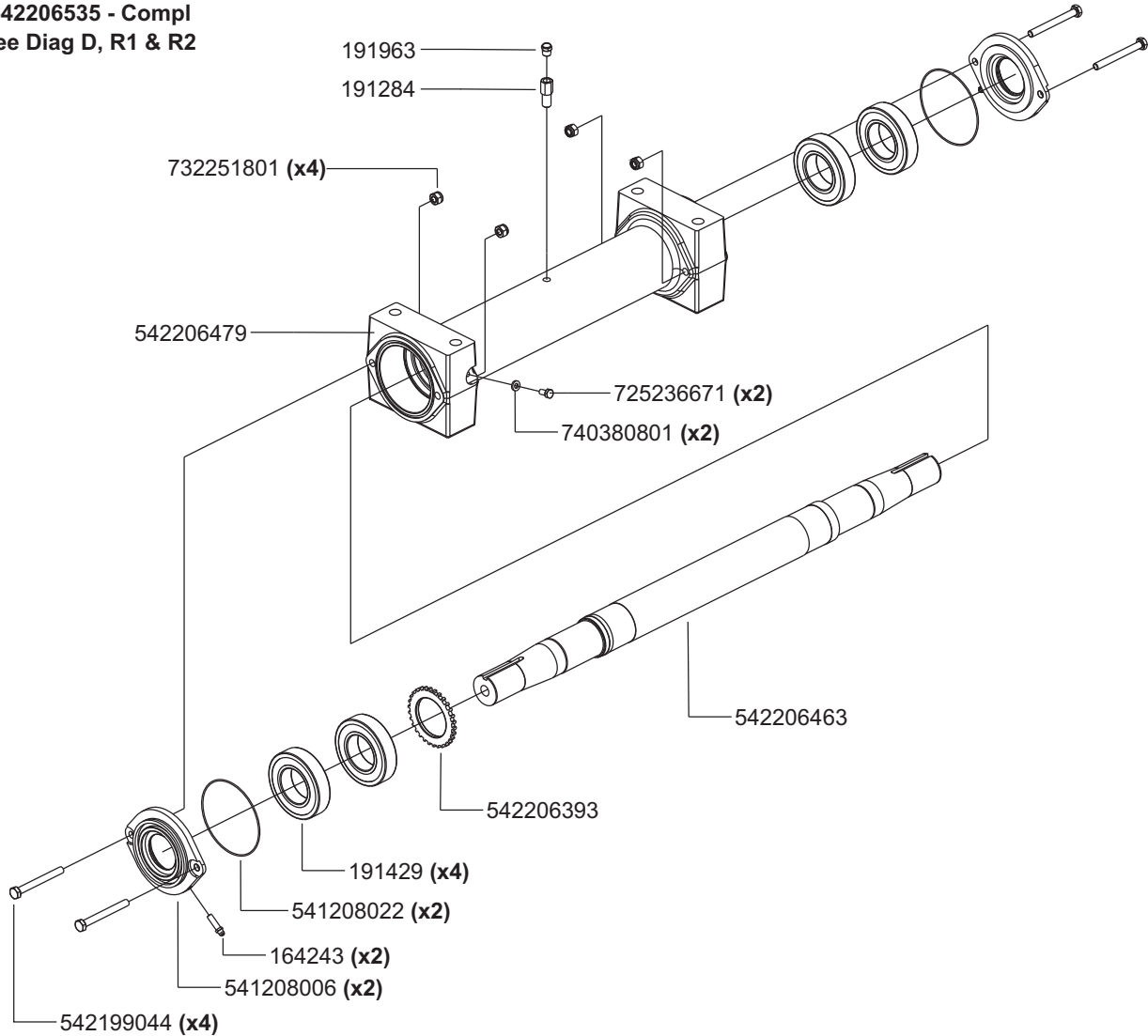
160393 (x2)  
539102653  
539976982  
539990333  
163487 RH

# S Blade Shaft - Compl

542206535 - Compl  
See Diag D, R1 & R2



10.27.09



## Blade Shaft Assemblies - Compl with: Pulleys, Flanges & Mounting Fasteners

### FS8400D 1-Speed

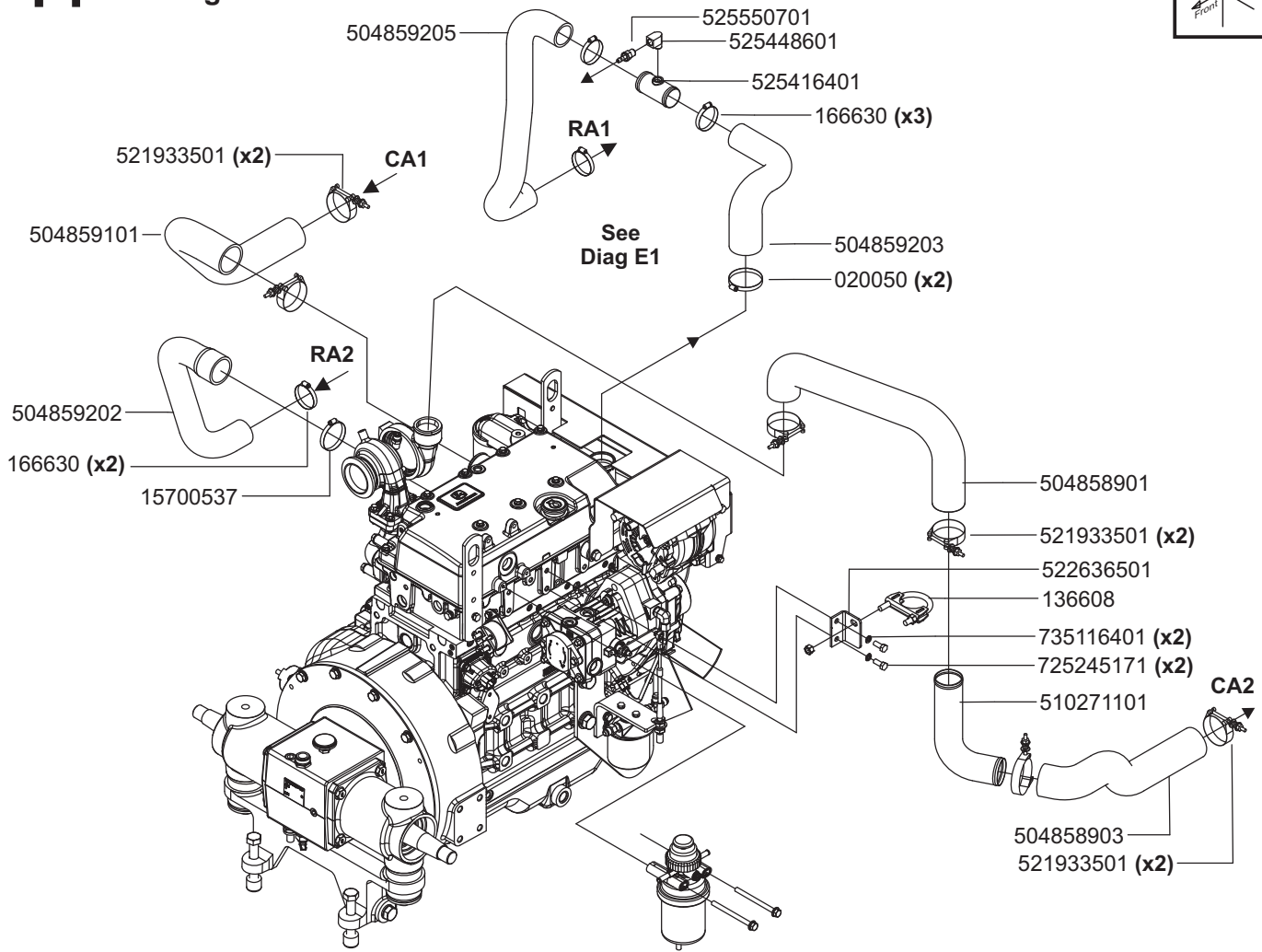
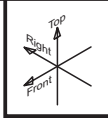
Assy No	Blade	Pulley (x2)	Dia	Inner Flange	Outer Flange	Dia
542199581	26/30"	542199534	4.75"	541206888	166307	5.0"
542199582	36"	542199535	5.60"	542198864	163272	6.0"
542199742	42"	542199746	6.40"	542199317	542199378	7.0"
542199583	48"	542199536	6.90"	542199331	191943	8.0"
542199584	60"	542199537	9.30"	542199570	191756	10.0"

## Blade Shaft Assemblies - Compl with: Pulleys, Flanges & Mounting Fasteners

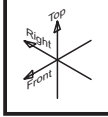
### FS8400D 3-Speed

Assy No	Blade	Pulley (x2)	Dia	Inner Flange	Outer Flange	Dia
504827005	18-30"	542199533	4.12"	541206888	166307	5.0"
504827006	20/36"	542199534	4.75"	542198864	163272	6.0"
504827007	42"	542199535	5.60"	542199317	542199378	7.0"
504827008	48"	542199536	6.90"	542199331	166757	8.0"

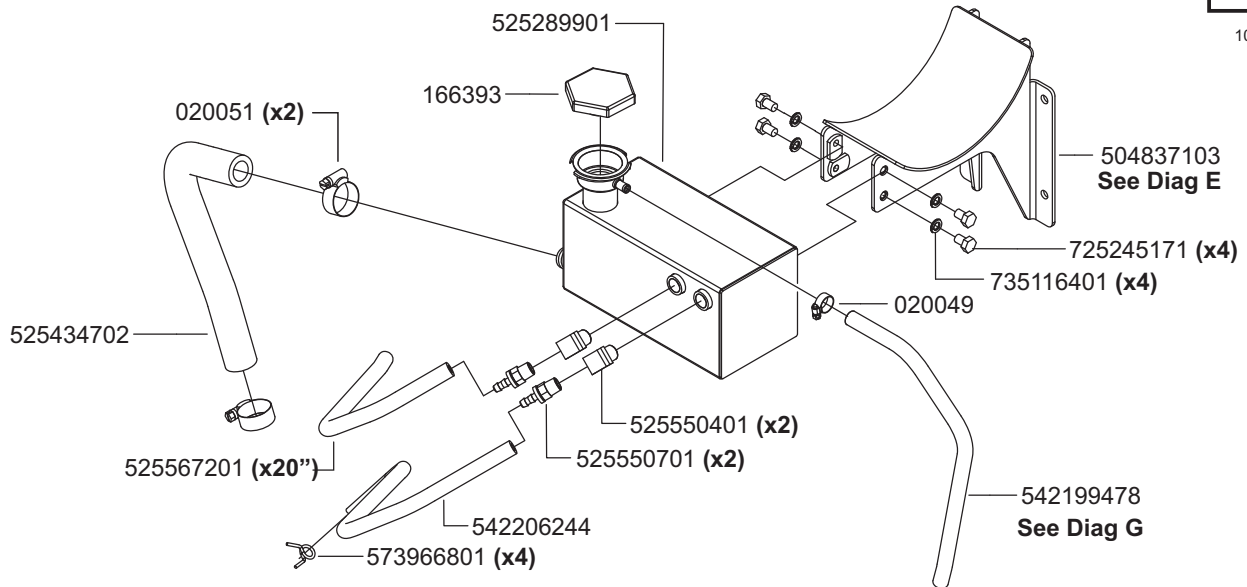
# T1 Cooling



# T2 Surge Tank

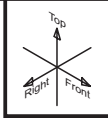


10.25.09

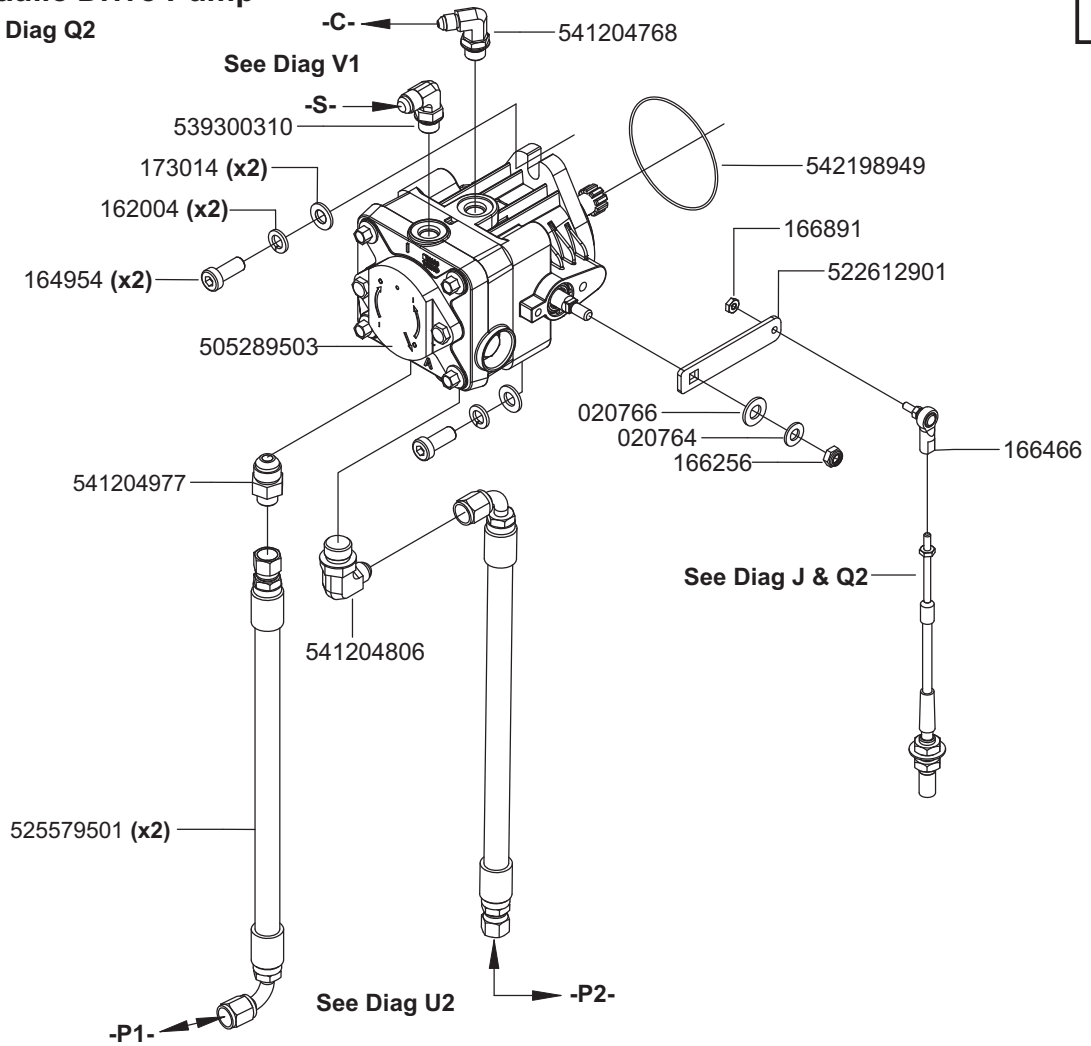


# U1 Hydraulic Drive Pump

See Diag Q2



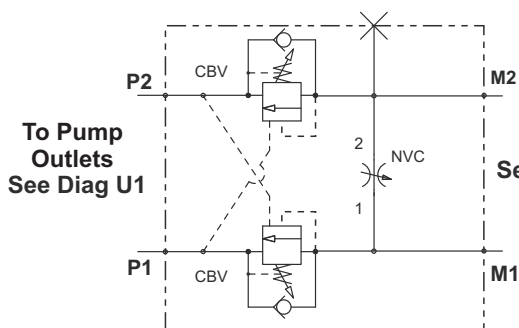
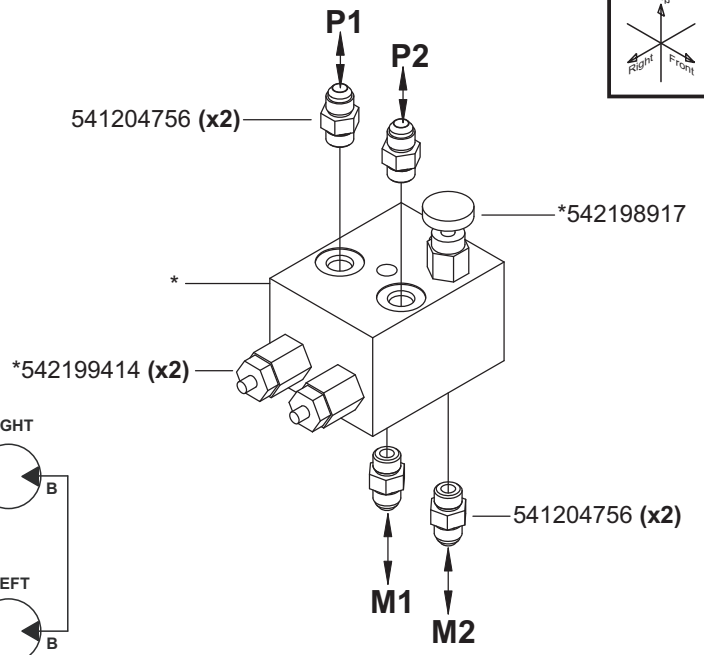
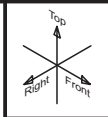
06.03.09



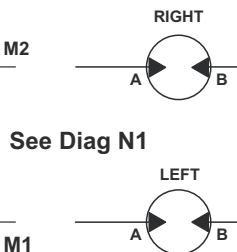
# U2 Bypass Valve Manifold

See Diag B

\*542198915 Valve - Compl

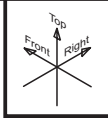


HYDRAULIC SCHEMATIC  
(See Operators Manual)

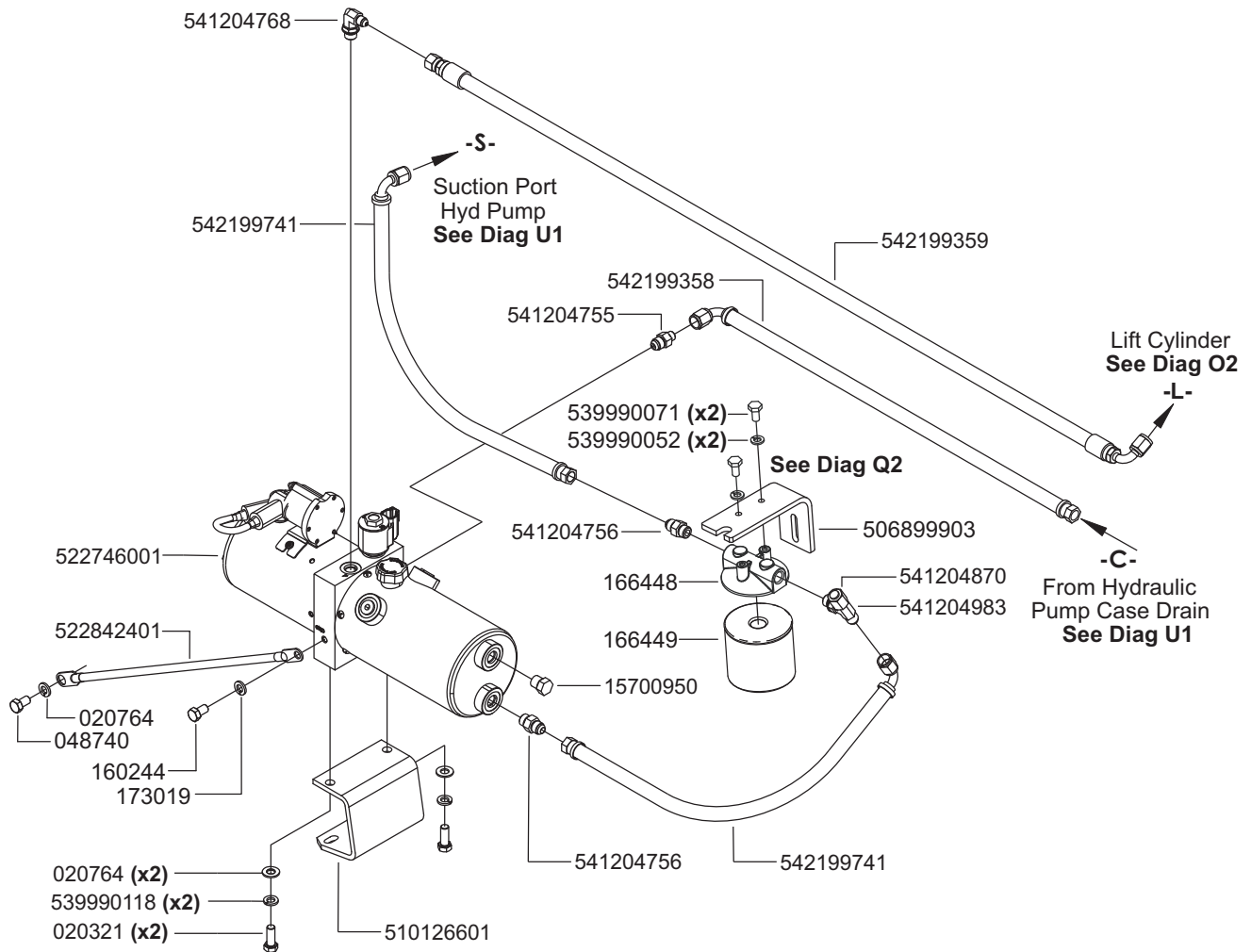


# V1 Lift Pump & Filter

See Diag Q2



10.13.09



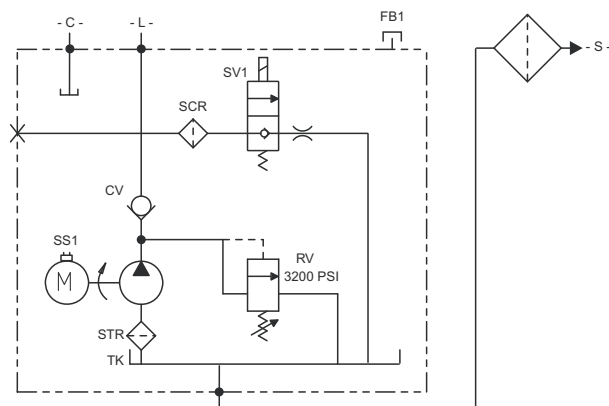
# V2 Lift Pump (Not Shown)

522746001 - Compl

10.27.09

## Lift Pump Service Parts

- STR - 522849106 Strainer, Pump
- SV1 - 542180020 Valve, Cartridge
- " - 522849110 Coil - 12 VDC
- SS1 - 522849115 Starter Switch - 12 VDC
- FB1 - 522849119 Cap, Filler-Breather
- TK1 - 522849111 Reservoir, Oil
- RV1 - 522849120 Valve, Pressure Relief
- CV1 - 522849121 Valve, Check
- M - 522849122 Brushes, Motor

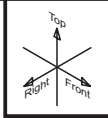


HYDRAULIC SCHEMATIC

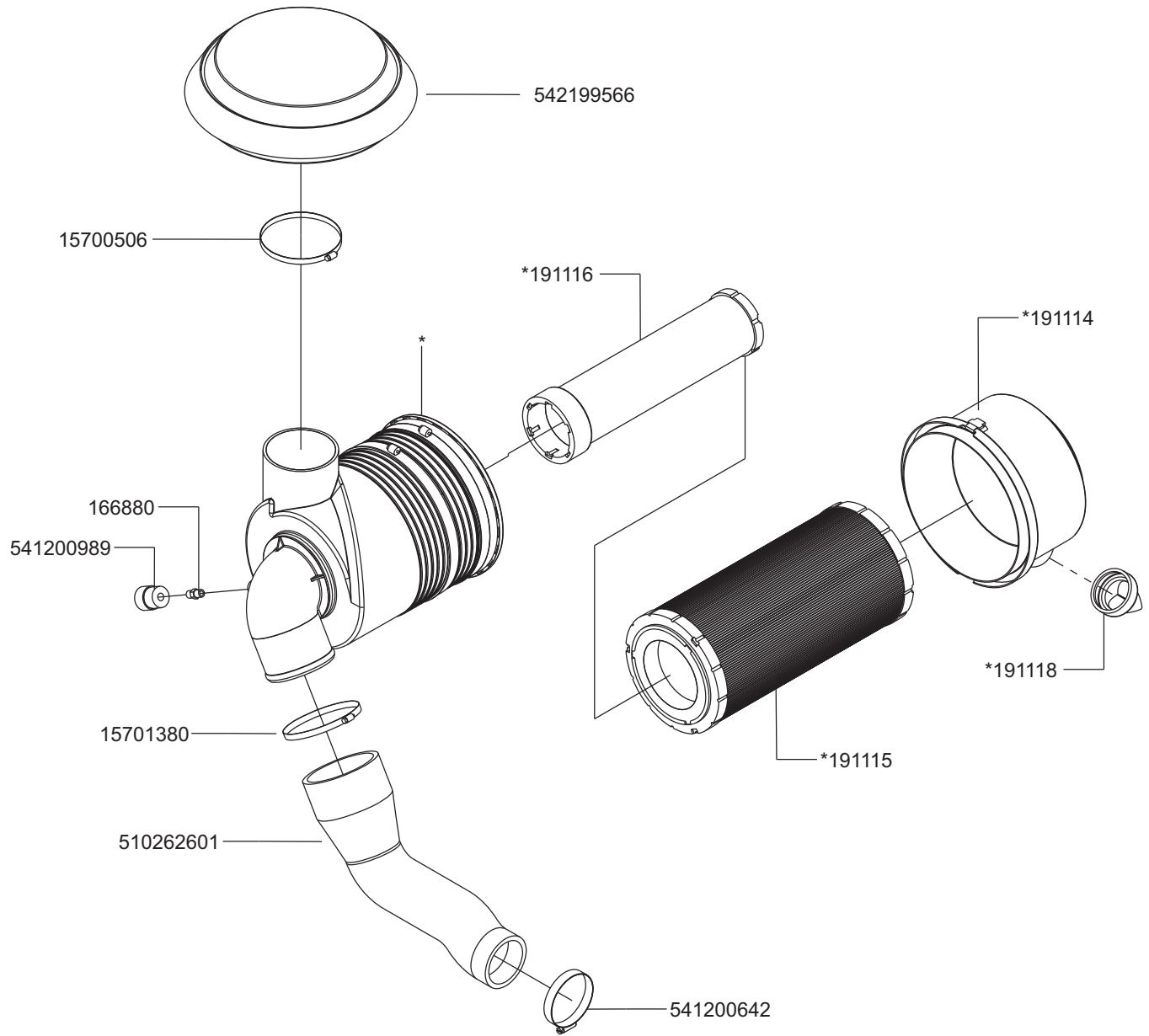


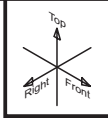
# W Air Filter

\*191082 - Compl



10.13.09

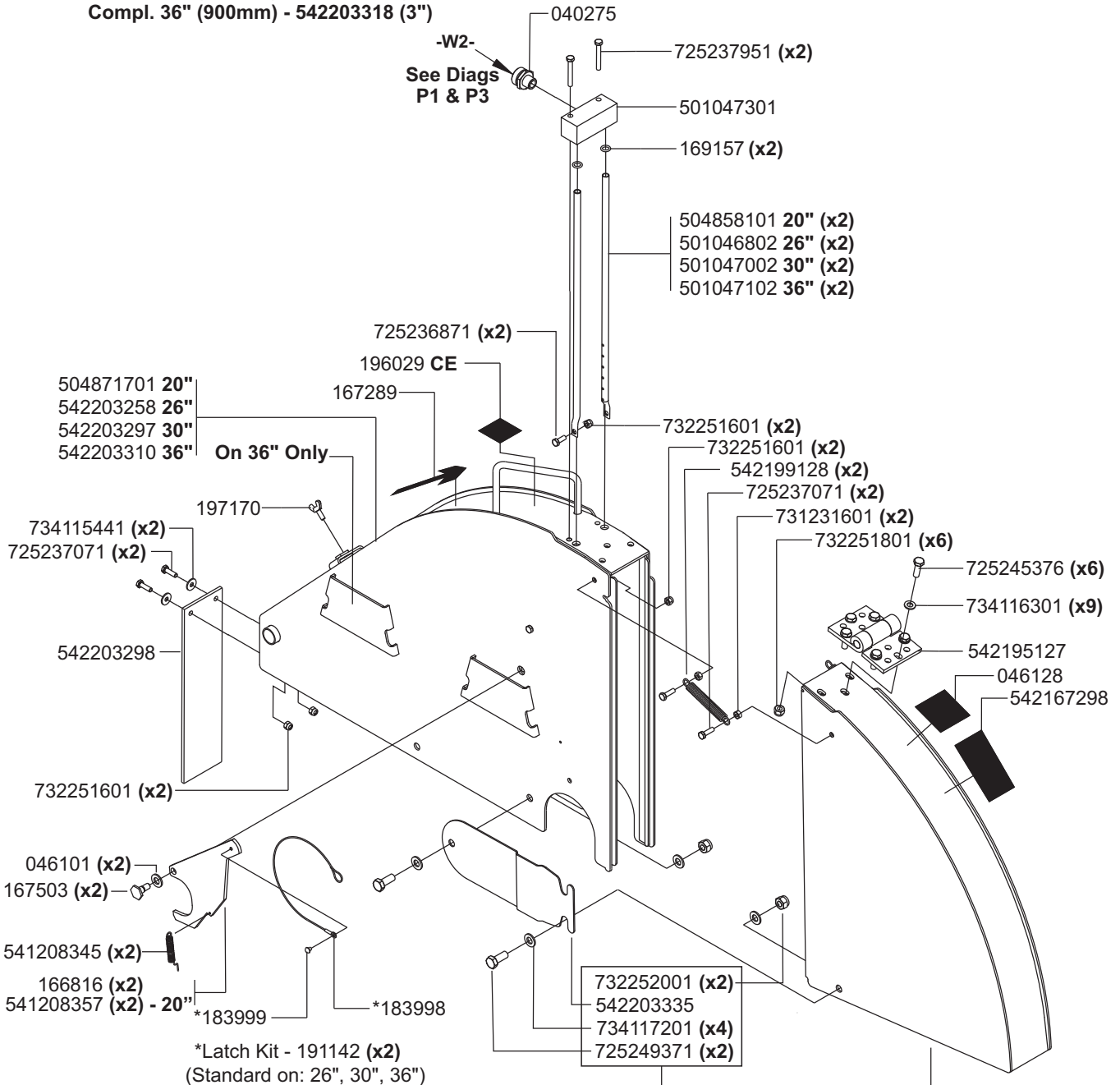




10.13.09

# X1 Blade Guard Assy - Slip-On

- Compl. 20" (500mm) - 504857701 (3")
- Compl. 26" (600mm) - 542203266 (3")
- Compl. 30" (800mm) - 542203305 (3")
- Compl. 36" (900mm) - 542203318 (3")



\*Latch Kit - 191142 (x2)  
(Standard on: 26", 30", 36")

For 26-36"  
Not Included w/ Compl  
Blade Guard Assys

For 18-20"  
Not Included w/ Compl  
Blade Guard Assys

167289



542167298

**WARNING**

DO NOT use a larger size blade guard without changing to the correct belt drive flange to comply with the safety standard in injury or death.

NO use un protector de hoja de mayor tamaño sin cambiar el montaje de correa correspondiente. De no cumplirse esta condición, podrían lesionarse o morir.

NE PAS utiliser une protection de disque de plus grande taille sans changer en même temps le système d'entraînement! Toute négligence à cet égard pourrait causer des blessures graves, voire mortelles!

Bei Verwendung einer größeren Scheibenabdeckung muss gleichzeitig das Riemenantriebswerk MMS der entsprechenden Größe installiert werden! Ansonsten besteht Verletzungs- oder Todesgefahr!

Gebodak GSEK protena bladzakovanje iznad de blazice mora biti pravilno. Inače, ako se koristi nepravilna veličina, može doći do ozbiljnih povreda ili smrti.

NOW use an ripper of disc of different model if replacement of the blade with others is required. Failure to do so could result in serious injury or death. SEE OPERATOR'S MANUAL FOR INSTRUCTIONS. IF YOU DO NOT HAVE AN OPERATOR'S MANUAL, CALL TOLL FREE 1-800-288-5040

046128

**WARNING**

DO NOT CHANGE TO A LARGER BLADE GUARD SIZE WITHOUT CHANGING TO PROPER BELT DRIVE, ENGINE SPEED AND BLADE FLANGES. FAILURE TO COMPLY COULD RESULT IN DEATH OR SERIOUS BODILY INJURY. SEE OPERATOR'S MANUAL FOR INSTRUCTIONS. IF YOU DO NOT HAVE AN OPERATOR'S MANUAL, CALL TOLL FREE 1-800-288-5040

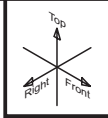
196029

LWA

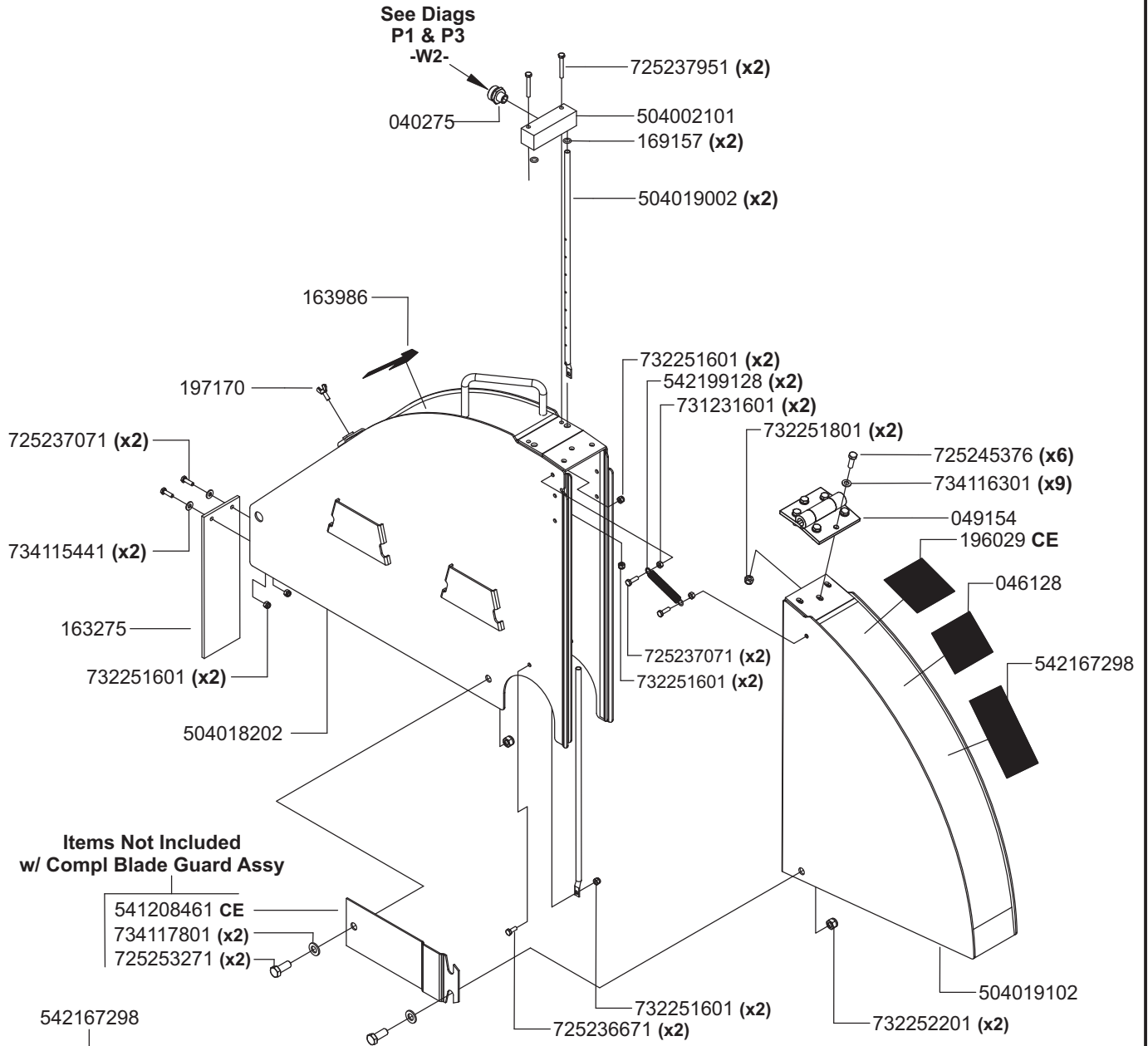
119 dB

# X2 Blade Guard Assy - 42" Slip-On

504019401 42" (1000mm) Compl



10.13.09



### Items Not Included w/ Compl Blade Guard Assy

- 541208461 CE
- 734117801 (x2)
- 725253271 (x2)

542167298

**WARNING**

DO NOT use a larger size blade guard without changing to the correct belt drive! Failure to comply could result in injury or death!

!NO use un protector de hoja de mayor tamaño sin cambiar el mando de correa correcto!

!De no cumplirse esto se pueden producir lesiones graves o mortales!

NE PAS utiliser une protection de disque de plus grande taille sans changer en même temps le courroie d'entraînement ! Toute négligence a cet égard pourrait causer des blessures graves, voire mortelles !

Bei Verwendung einer größeren Stieblattabdeckung MUSS der entsprechende Antrieb installiert werden! Andernfalls besteht Verletzungs- oder Lebensgefahr!

Gebruik GEEN grotere bladafdekking zonder de aandrijving aan te passen! Indien dit niet wordt nageliefd, zou dit tot een letsel of de dood kunnen leiden!

NON usare un riparo del disco di dimensioni più grandi senza cambiare anche la trasmissione del disco nella misura corretta! L'incossistenza di questa istruzione può causare infortuni o la morte!

ANVÄND INTE ett bladskydd som är större utan att byta till rätt drivrem! Försammalet att följa dessa regler kan leda till skada eller död!

046128

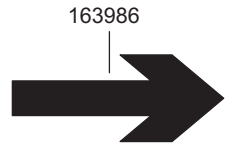
**WARNING**

DO NOT CHANGE TO A LARGER BLADE GUARD SIZE WITHOUT CHANGING TO PROPER BELT DRIVE, ENGINE SPEED AND BLADE FLANGES. FAILURE TO COMPLY COULD RESULT IN DEATH OR SERIOUS BODILY INJURY. SEE OPERATOR'S MANUAL FOR INSTRUCTIONS. IF YOU DO NOT HAVE AN OPERATOR'S MANUAL, CALL TOLL FREE 1-800-288-5040

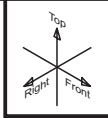
196029 CE

LWA

119 dB



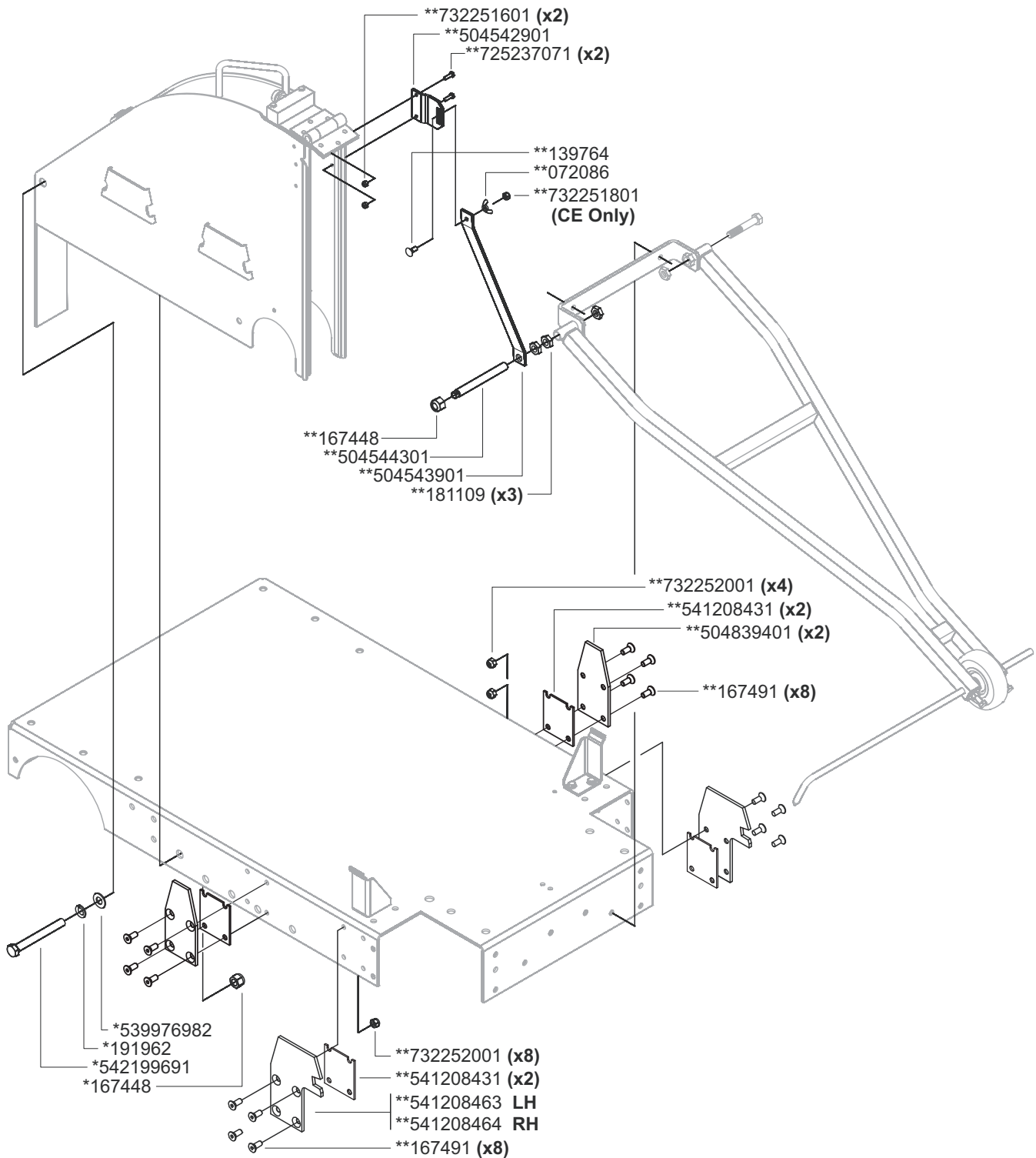
# X3 Blade Guard Attachment - 42" (1000mm)



\*504558301 Kit, 42" Blade Guard - Compl

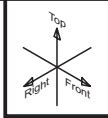
Includes: 504019401, \*\*504558401 &  
Flange Cover w/ Hardware - See Diag X2

## \*\*504558401 Kit, Attachment

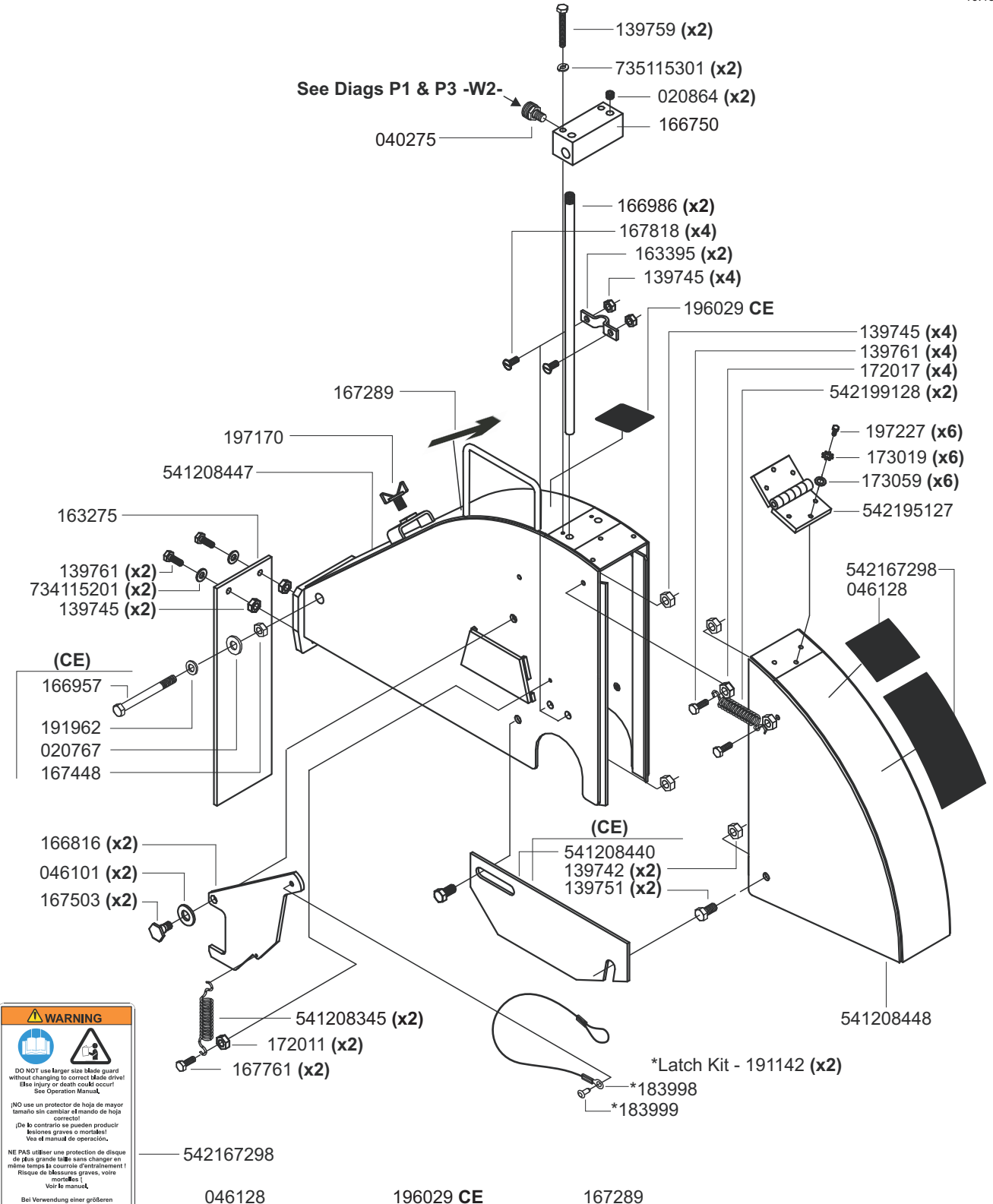


# X4 Blade Guard - 18" (450mm)

Compl. 18" (450mm) - 542198778



10.13.09



**WARNING**

DO NOT use larger size blade guard without changing to correct blade drive! Else injury or death could occur! See Operator Manual.

NO use un protector de hoja de mayor tamaño sin cambiar el mando de hoja correcto!

(De lo contrario se pueden producir lesiones graves o mortales! Ver el manual de operación.)

NE PAS utiliser une protection de disque de plus grande taille sans changer en même temps la courroie d'entraînement! Risque de blessures graves, voire mortelles!

Bei Verwendung einer größeren Sägeblattabdeckung MUSS der entsprechende Antrieb installiert werden! Andernfalls besteht Verletzungs- oder Lebensgefahr! Siehe Betriebsanleitung.

Gebruik GEEN grotere bladafdekking zonder de aandrijving aan te passen! Indien dit niet gebeurt, zou dit tot een letsel of de dood kunnen leiden! Zie bedieningshandleiding.

NON usare un riparo del disco di dimensioni più grandi senza cambiare anche la trasmissione del disco nella misura corretta!

In caso contrario, si possono verificare infortuni o morte! Vedere il Manuale d'uso.

ANVÄND INTE ett bladskydd som är större utan att byta till rätt bladdriv! Det kan orsaka personskada eller död! Se bruksanvisningen.

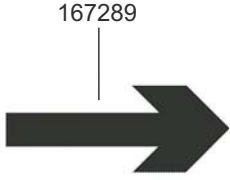
**WARNING**

DO NOT CHANGE TO A LARGER BLADE GUARD SIZE WITHOUT CHANGING TO PROPER BELT DRIVE, ENGINE SPEED AND BLADE FLANGES. FAILURE TO COMPLY COULD RESULT IN DEATH OR SERIOUS BODILY INJURY. SEE OPERATOR'S MANUAL FOR INSTRUCTIONS. IF YOU DO NOT HAVE AN OPERATOR'S MANUAL, CALL TOLL FREE 1-800-288-5040

196029 CE

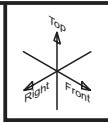
LWA

119 dB

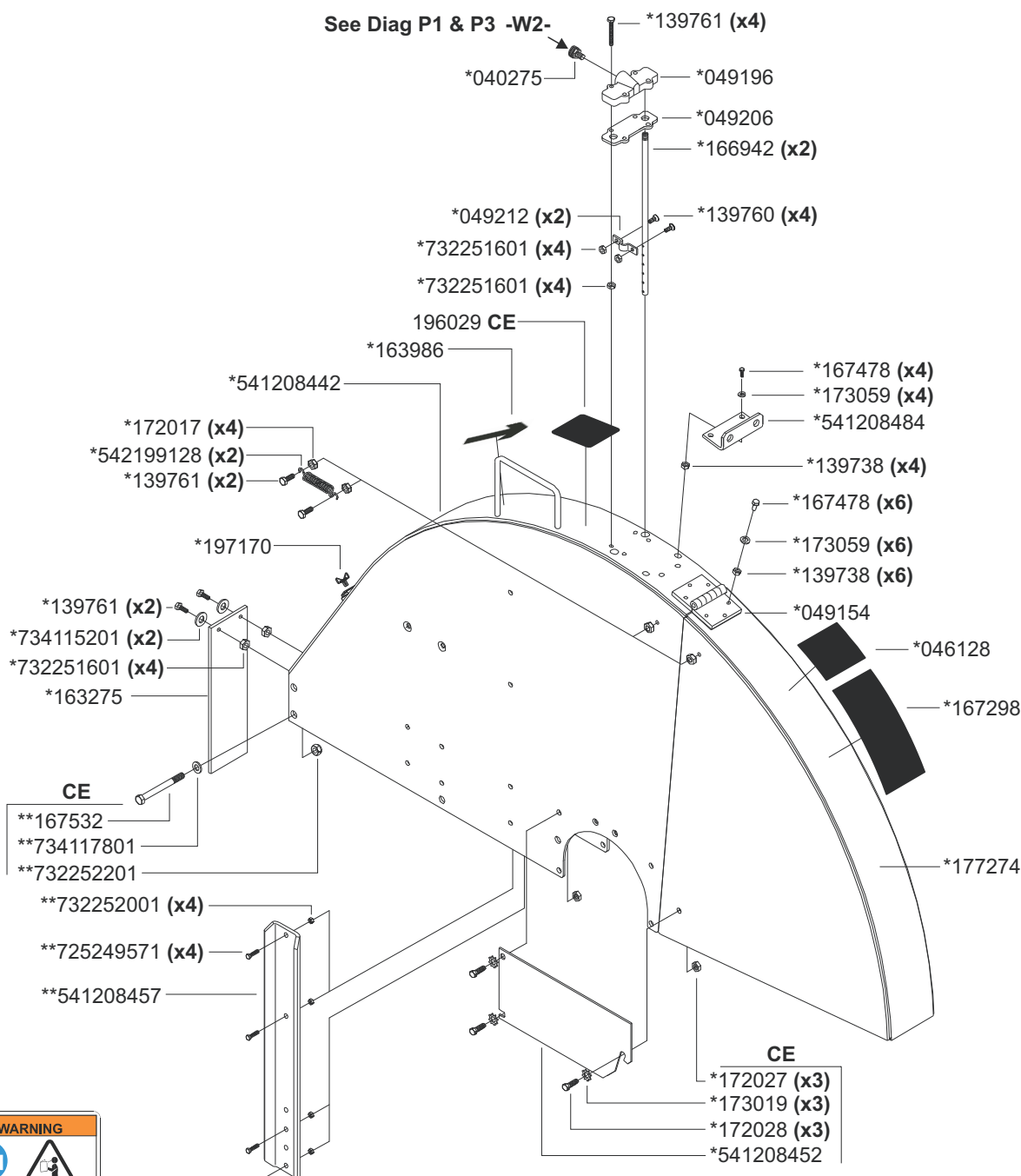


# X5 Blade Guard - 48" Bolt-On

\*166932 - Compl 48" (1200mm)



10.27.09



**WARNING**

DO NOT use a larger size blade guard without changing to correct blade drive! Else injury or death could occur! See Operation Manual.

NE PAS utiliser une protection de disque de plus grande taille sans changer en même temps la courroie d'entraînement ! Risque de blessures graves, voire mortelles. Voir le manuel.

Bei Verwendung einer größeren Sägebattsabdeckung MUSS der entsprechende Antrieb installiert werden! Andernfalls besteht Verletzungs- oder Lebensgefahr! Siehe Betriebsanleitung.

Gebruik GEEN grotere bladafdekking zonder de aandrijving aan te passen! Indien dit niet gebeurt, zou dit tot een letsel of de dood kunnen leiden! Zie bedieningshandleiding.

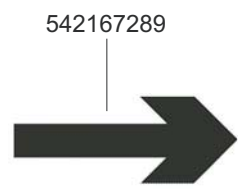
NON usare un riparo del disco di dimensioni più grandi senza cambiare anche la trasmissione del disco nella misura corretta. In caso contrario, si possono verificare infortuni o morte. Vedere il Manuale d'uso.

ANVÄND INTE ett bladskydd som är större utan att byta till rätt bladövre! Det kan orsaka personskada eller död! Se bruksanvisningen.

167298

**WARNING**

DO NOT CHANGE TO A LARGER BLADE GUARD SIZE WITHOUT CHANGING TO PROPER BELT DRIVE, ENGINE SPEED AND BLADE FLANGES. FAILURE TO COMPLY COULD RESULT IN DEATH OR SERIOUS BODILY INJURY. SEE OPERATOR'S MANUAL FOR INSTRUCTIONS. IF YOU DO NOT HAVE AN OPERATOR'S MANUAL, CALL TOLL FREE 1-800-288-5040



046128

542167289

196029 CE

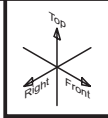
**L<sub>WA</sub>**

**119** dB

# X6 Blade Guard - 60" Bolt-On - FS8400

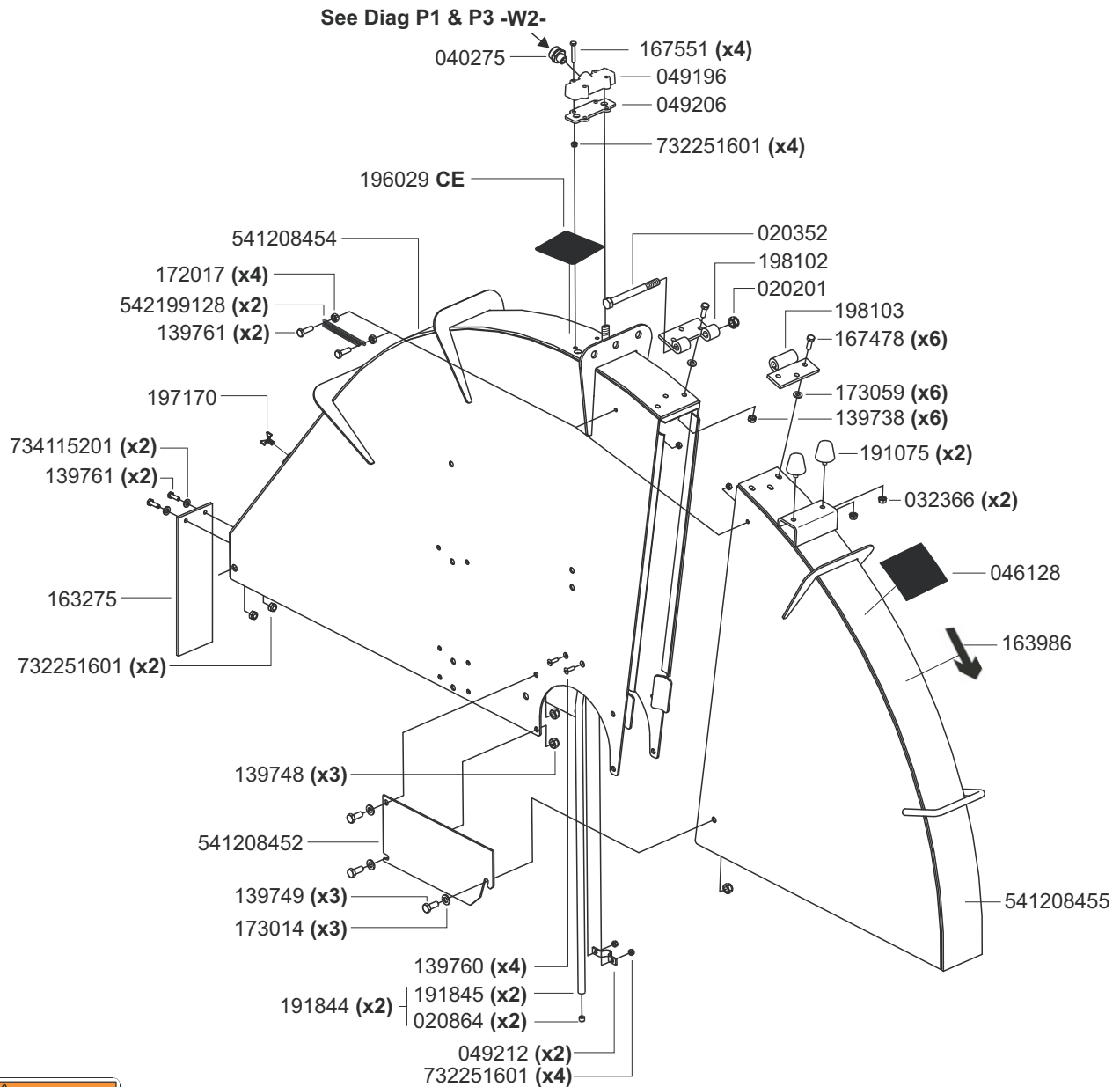
198191 - Compl 60" (1500mm)

\*Note: 196029 Decal Not Included



10.13.09

See Diag X7 for Attachment Parts included



**WARNING**

DO NOT use a larger size blade guard without changing to correct blade drive! Else injury or death could occur! See Operator Manual.

NO use un protector de hoja de mayor tamaño sin cambiar el mando de hoja corrector!  
(De lo contrario se pueden producir lesiones graves o mortales!)  
Voir le manuel.

NE PAS utiliser une protection de disque de plus grande taille sans changer en même temps la courroie d'entraînement! Risque de blessures graves, voire mortelles!  
Voir le manuel.

Bei Verwendung einer größeren Sägeblattabdeckung MUSS der entsprechende Antrieb installiert werden! Andernfalls besteht Verletzungs- oder Lebensgefahr!  
Siehe Betriebsanleitung.

Gebruik GEEN grotere bladafdekking zonder de aandrijving aan te passen! Indien dit niet gebeurt, zou dit tot een letsel of de dood kunnen leiden! Zie bedieningshandleiding.

NON usare un riparo del disco di dimensioni più grandi senza cambiare anche la trasmissione del disco nella misura corretta.  
In caso contrario, si possono verificare infortuni o morte!  
Vedere il Manuale d'uso.

ANVÄND INTE ett bladskydd som är större utan att byta till rätt bladövre!  
Det kan orsaka personskada eller död!  
Se bruksanvisningen.

542167298

046128

**WARNING**

DO NOT CHANGE TO A LARGER BLADE GUARD SIZE WITHOUT CHANGING TO PROPER BELT DRIVE, ENGINE SPEED AND BLADE FLANGES. FAILURE TO COMPLY COULD RESULT IN DEATH OR SERIOUS BODILY INJURY. SEE OPERATOR'S MANUAL FOR INSTRUCTIONS. IF YOU DO NOT HAVE AN OPERATOR'S MANUAL, CALL TOLL FREE 1-800-288-5040

163986

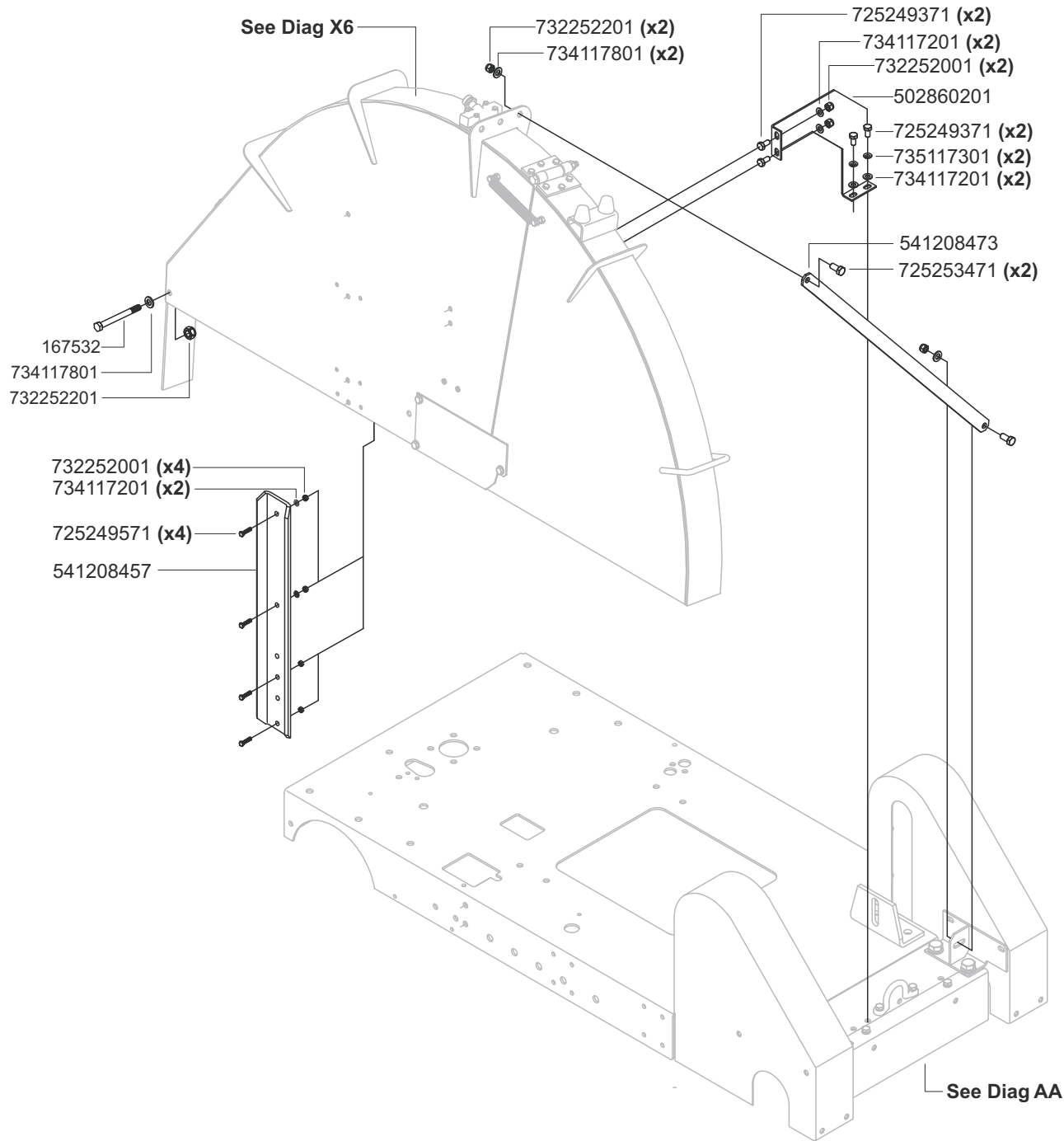
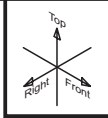


196029 CE

L<sub>WA</sub>

**119** dB

# X7 Blade Guard Attachment - 60" (1500mm) - FS8400

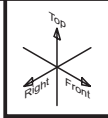






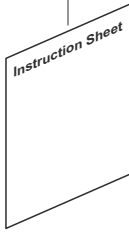
# Water Pump Kit

542199626 - Kit, Compl



06.03.09

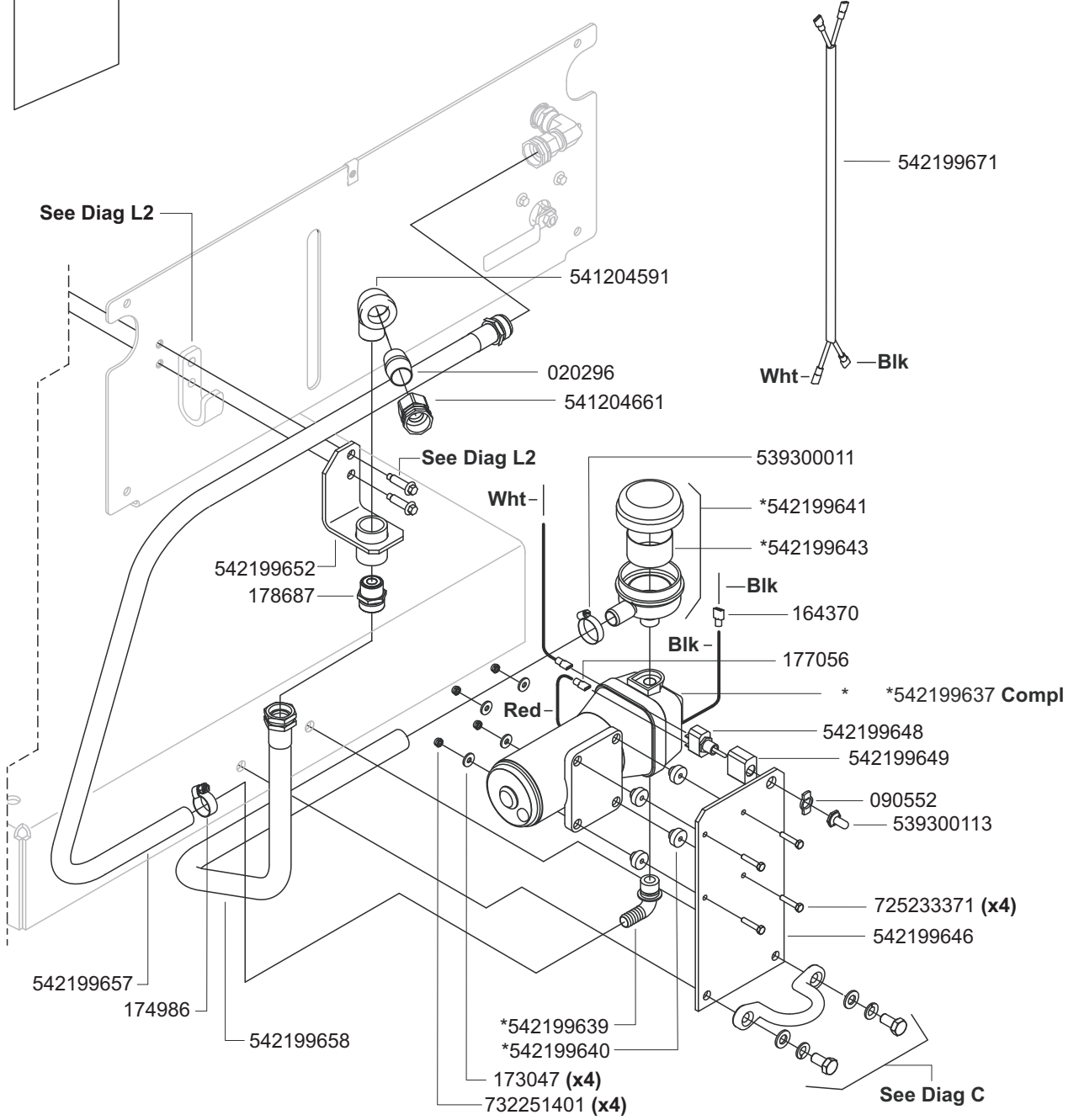
542201048

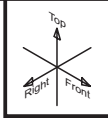


See Diags F1 & F2  
Main Wiring Diagram  
in Operator's Manual

166855

Connects To  
Cowl Wiring Harness  
See Cowl Wiring Diagram  
in Operator's Manual

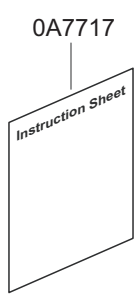
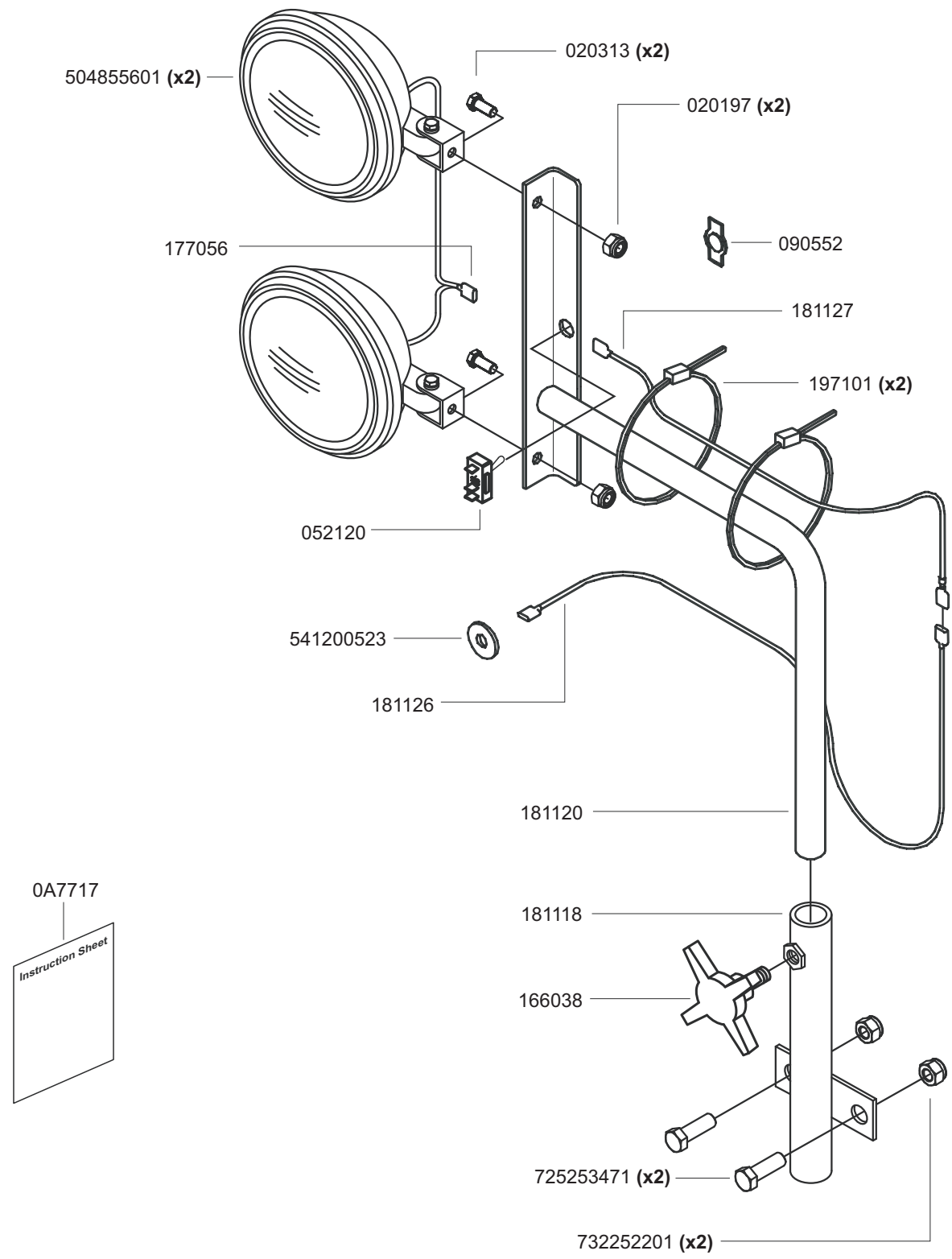




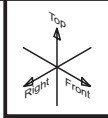
# Z Dual Light Kit

181117 - Kit, Compl

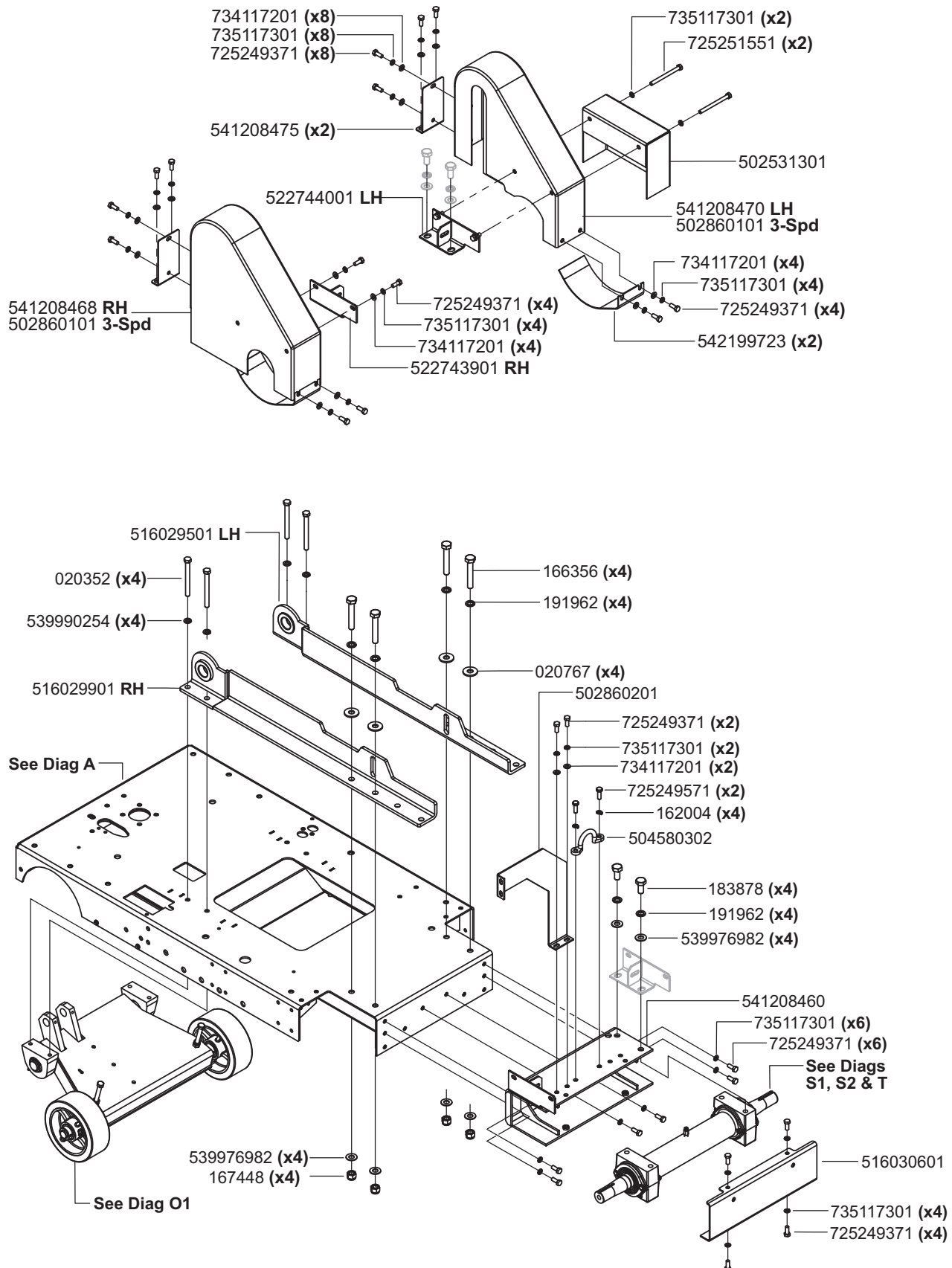
166855 —  See Main Wiring Diagram in Operator's Manual



# AA Frame Extension- 60"(1500mm)



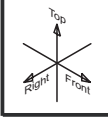
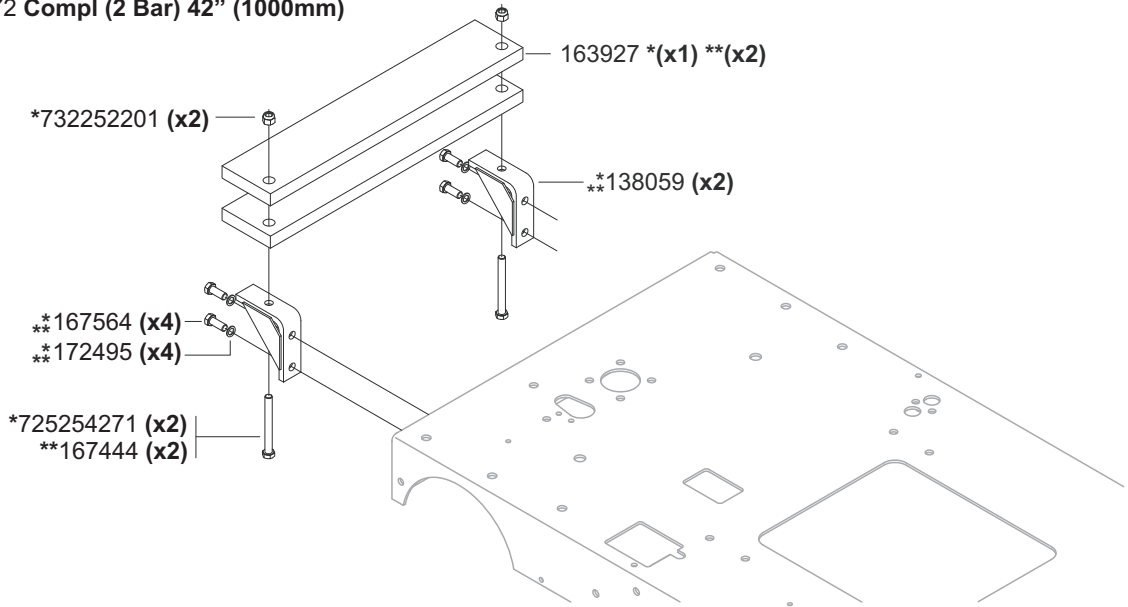
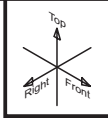
10.27.09



# AB Weight Kits - 42" (1000mm), 48" (1200mm) & 60" (1500mm)

\*542196171 Compl (1 Bar)

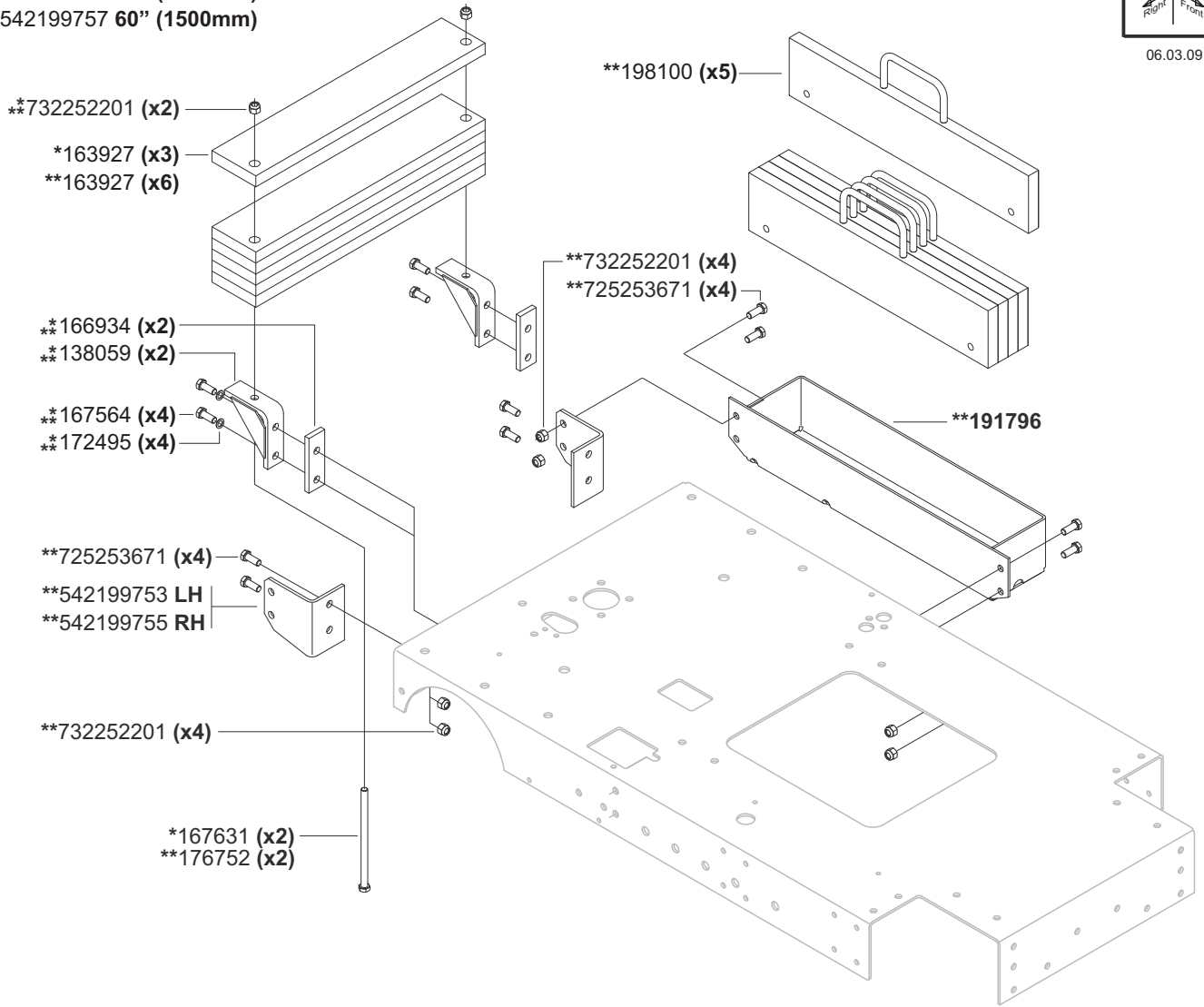
\*\*542196172 Compl (2 Bar) 42" (1000mm)



06.03.09

\*198022 48" (1200mm)

\*\*542199757 60" (1500mm)









**Husqvarna Construction Products N. A.**  
**Corporate Office**  
17400 West 119th Street  
Olathe, Kansas 66061  
Tel. 913-928-1000  
Fax 913-438-7951

Customer Service: 800-288-5040  
Customer Serv. Fax: 800-825-0028



### **DUST WARNING**



**Cutting, especially when DRY cutting, generates dust that comes from the material being cut, which frequently contains silica.** Silica is a basic component of sand, quartz, brick clay, granite and numerous other minerals and rocks. Exposure to excessive amount of such dust can cause:

- Respiratory diseases (affecting your ability to breath), including chronic bronchitis, silicosis and pulmonary fibrosis from exposure to silica. These diseases may be fatal;
- Skin irritation and rash; and
- Cancer according to NTP\* and IARC\*  
\*National Toxicology Program / International Agency for Research on Cancer

Take precautionary steps

- Avoid inhalation of and skin contact with dust, mist and fumes;
- Wet cut when feasible, to minimize dust;
- Wear and ensure that all bystanders wear appropriate respiratory protection such as dust masks designed to filter out microscopic particles. (See OSHA 29 CFR Part 1910.1200)

**California Prop 65 Warning:**

Use of this product can cause exposure to materials known to the State of California to cause cancer and/or birth defects or other reproductive harm.



Printed in the USA